

**INSTALLATION  
OPERATION  
MAINTENANCE  
MANUAL**  

---

**CLOSED LOOP/  
CLOSED LOOP PV**



**Alternate Energy Technologies  
PO Box 61326  
Jacksonville, FL 32236  
904-781-8305**

## CONTENTS

Introduction	1
Basic Tools and Materials	1
1. Collector Location	2
2. Collector Orientation	2
3. Collector Dimensions	3
4. Mounting Hardware	4
5. Mounting Hardware Spacing	7
6. Pitch Pan	7
7. Array Mounting	8
8. Collector Piping	9
9. Collector Piping Detail	9
10. Sensor Mounting at Collector	10
11. Piping Through Roof	10
12. Storage Tank Placement	10
13. Sensor Mounting at Storage Tank	11
14. Closed Loop Fluid Handling System	11
15. Closed Loop Differential Temperature Controller	12
16. Closed Loop Start-Up	13
17. Closed Loop Maintenance	13
18. Closed Loop PV System	14
19. Operational Checklist	15
Systems Parts List	16
Collector Yard Mount	16

## INTRODUCTION

We at AET would like to extend our congratulations on your purchase of an Eagle Sun System. Years of research and development backed by critical engineering have brought you the finest solar products you can buy. Please take time to read this booklet thoroughly. Each step is outlined completely and clarified by diagrams where necessary. All questions which arise

from this material should be answered before you attempt installation of the system. With a little thought and careful planning, your Eagle Sun System can be installed quickly and easily by yourself or by a qualified plumber with a minimum of disruption to your business or home.

“Conservation for today... Energy for tomorrow.”

## BASIC TOOLS AND MATERIALS

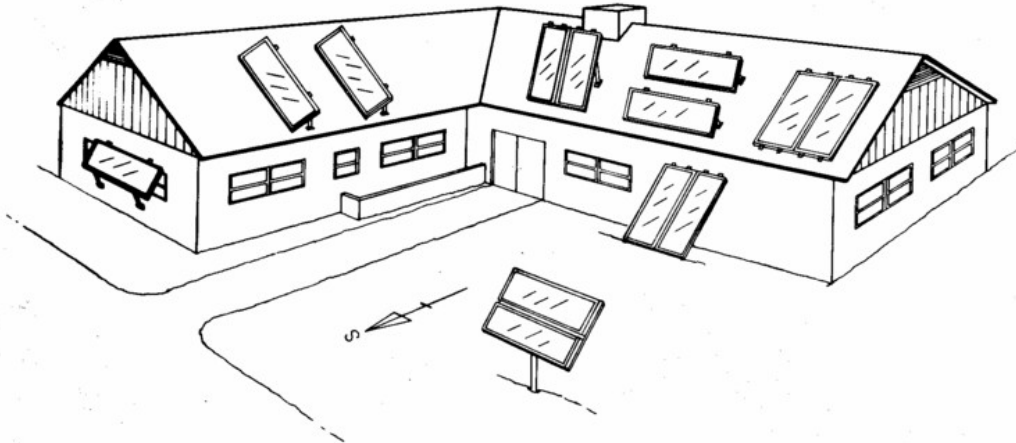
Electric Drill  
 Drill Index (w/ 1/2" and 3/4" Wood Bits)  
 Hack Saw  
 Tubing Cutter  
 Tin Snips  
 16' Tape Measure  
 24" Level  
 Flashlight  
 Extension Cord  
 Slip Joint Pliers  
 Needle Nose Pliers  
 Pipe Wrenches, 10" & 14"  
 Open End Wrenches, 9/16 & 7/16  
 Screw Driver 6" Flat Blade  
 Screw Driver 6" Philips  
 Wire Stripper or Knife  
 Wire Cutters

Adjustable Wrenches 8" & 10  
 Torch and Striker  
 100 PSI Pressure Gage  
 Putty Knife  
 High Temperature Pipe Joint Compound  
 Wire Nuts or Connectors  
 Miscellaneous Copper Pipe & Fittings (3/4")  
 Solder Flux  
 Emory Paper  
 Silicon Caulk and Roof Tar  
 1/2" I.D. Copper Tubing & Installation  
 Angle Iron  
 Threaded Rod, Nuts, & Washers  
 Stainless Screw Clamps  
 Thermal Adhesive  
 Aluminum Flashing Sheet

## 1. COLLECTOR LOCATION

Proper location and orientation of the solar collectors is important for maximum system efficiency. The collectors should be unshaded for the middle six hours of the day in each month of the year and should be located as close to the storage tank as possible to minimize heat loss in the piping runs. The best orientation is achieved

when the collectors are facing due south and tilted at an angle from the horizontal of latitude + 10°. Figure 1 below shows many alternatives for collector mounting. When roof mounting, placing the collectors as close as possible to the peak of the roof will make installation easier due to increased attic access.

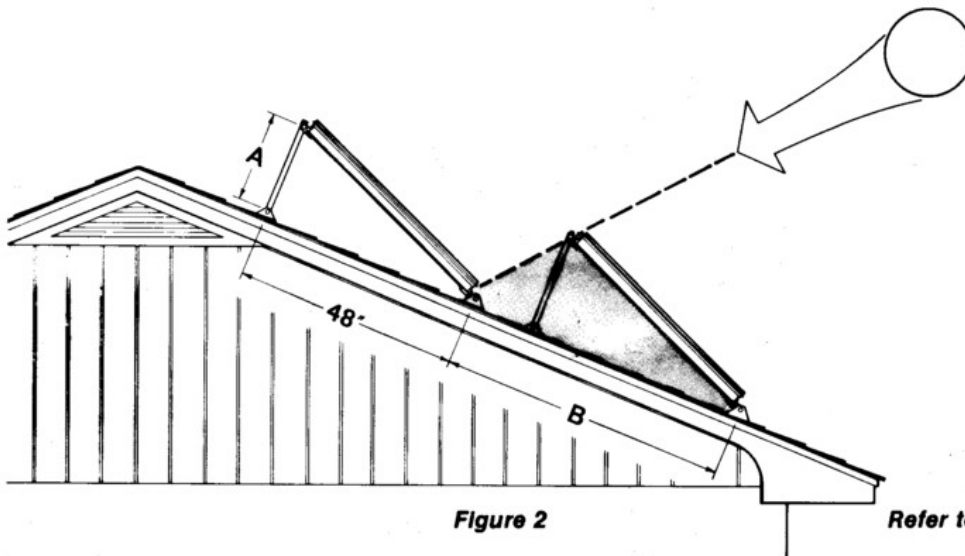


**Figure 1**

## 2. COLLECTOR ORIENTATION

Proper tilt angle for solar collectors is latitude plus 10° (see latitude map). This favors the winter sun because ambient temperatures are lower during the winter and collector efficiency suffers. This 10° additional tilt equalizes year round performance. Spacing can be determined from Table 1.

When the collectors are mounted one behind the other, they are spaced apart so that in the morning and afternoon on December 21, when the sun is at its lowest altitude, the collectors will not shade each other and cause efficiency loss.



**Figure 2**

**Refer to Table 1**

LATITUDE		25° N		30° N		35° N		40° N		45° N		50° N	
COLLECTOR TILT		35°		40°		45°		50°		55°		60°	
		A	B	A	B	A	B	A	B	A	B	A	B
ROOF PITCH	FLAT	29	96	33	113	37	145	41	145	44	145	48	145
	5° 1/12	25	83	29	93	33	113	37	132	41	133	44	141
	9° 2/12	22	74	26	82	30	77	34	110	38	115	41	118
	14° 3/12	17	66	22	72	26	82	30	92	34	95	38	98
	18° 4/12	14	61	18	66	22	74	26	81	30	85	34	87
	23° 5/12	10	58	14	60	18	66	22	72	26	74	30	77
	27° 6/12	7	58	11	58	15	61	19	66	23	68	27	70
	30° 7/12	4	58	8	58	13	58	17	58	21	58	25	58
	34° 8/12	0	58	5	58	9	58	13	58	17	58	22	58
	37° 9/12	-2	58	3	58	7	58	11	58	15	58	19	58
	40° 10/12	-4	58	0	58	4	58	8	58	13	58	17	58
	43° 11/12	-7	58	-3	58	-2	58	6	58	10	58	14	58
	45° 12/12	-8	58	-4	58	0	58	4	58	8	58	13	58
VERTICAL		-44		-41		-37		-33		-29		-25	

**Table 1. All Lengths in inches**

### 3. COLLECTOR DIMENSIONS

Collector	Gross Area (ft <sup>2</sup> )	Dimensions (in)	Transparent Area (ft <sup>2</sup> )	Weight (lb)
<b>AE-21</b>	20.87	35 3/16 x 85 3/16	19.22	74
<b>AE-24</b>	23.81	35 3/16 x 97 3/16	21.99	84
<b>AE-26</b>	25.35	47 3/16 x 77 3/16	23.65	90
<b>AE-28</b>	27.97	47 3/16 x 85 3/16	26.16	99
<b>AE-32</b>	31.91	47 3/16 x 97 3/16	29.93	113
<b>AE-40</b>	39.79	47 3/16 x 121 3/16	37.47	153
Tested: TUV (DIN 4757, RAPPERSWILL, ONORM M7714, FSEC, SRCC, Metropolitan Dade County, Miami Test Lab				

**Table 2. Collector Dimensions for AE series**

## MOUNTING HARDWARE

Provided in the Eagle Sun package is specially designed mounting hardware to speed collector installation. This hardware consists of four LOCK-TIGHT hinge sets, four roof brackets, two rear struts, and bolts (Figures 3, 4, and 5).

- After locating the mounting points from Table 1, the mounting bracket holes should be drilled.
- A heavy coating of sealant should be applied to the bottom of the flashing plate, which should fit flat against the roof. It is necessary for the plate to slide under the above shingles to insure proper drainage of water.
- The bottom of the roof bracket and the area around the threaded rod should also be thoroughly coated with tar sealant. When the bracket is set in place, alignment with the collector hinges is necessary before final tightening of the nuts. This should be completed before the sealant has time to set.
- The threaded rod is fastened through a 2' x 6" wood or 2" x 2" x 1/4" steel angle bracket under the roof as shown.
- The rear struts should be cut and drilled to conform to Table 1. All bolts should be

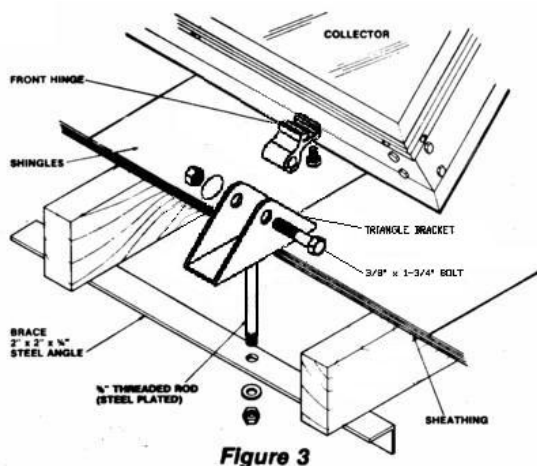


Figure 3

There are three acceptable ways to secure the collector mounting brackets to the roof.

- Spanner Mounting
- Lag Bolt Mounting
- J-Bolt Mounting

In spanner mounting after the brackets are positioned on the chalk line, a 3/8" hole is drilled between the rafters. Aluminum flashing is positioned over the hole where the top of the flashing is extended up under the shingle above the 3/8" hole and extends down over it. Caulk is applied between the flashing and the roof. The bracket is then positioned over

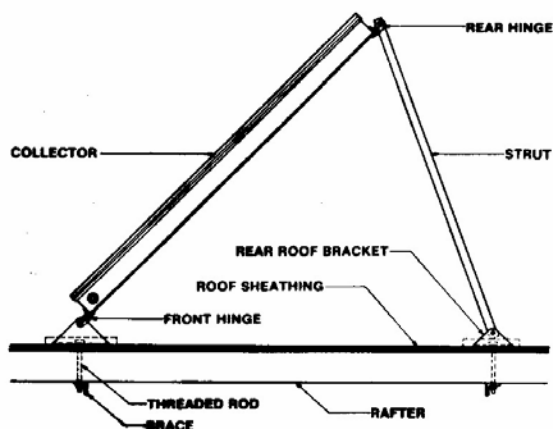


Figure 4

tightened securely. A stainless steel washer should be placed where the threaded rod passes through the aluminum bracket.

It is very important that the penetrations through the roof be well sealed. It should be carefully checked that all bolts are coated with tar and that no leaks are possible.

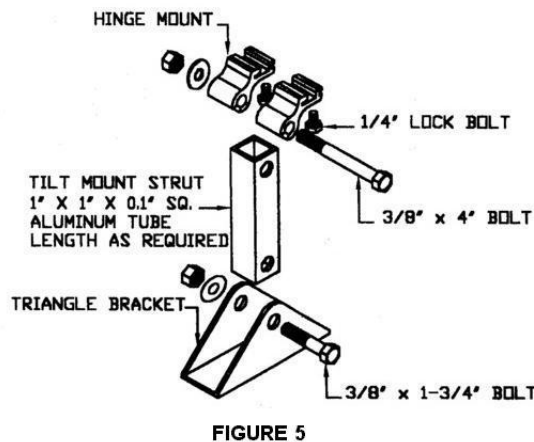


FIGURE 5

the 3/8" hole using sealant between the bracket and the flashing. A piece of 3/8" all-thread is then inserted through the hole. A washer and nut secures the all-thread to the bracket (be sure the seal underneath the washer and on top of the nut). The all-thread rod should extend about 4" below the roof rafters. Drill a 3/8" hole in a 2 x 4 and insert the all-thread rod through it. The 2 x 4 should span 2 rafters. With a washer and double bolt secure the all-thread to the 2 x 4. Tighten down until the bracket is tightly secured to the roof. Be careful not to over-tighten and bell out the roof underneath the bracket. (See Figure 6)

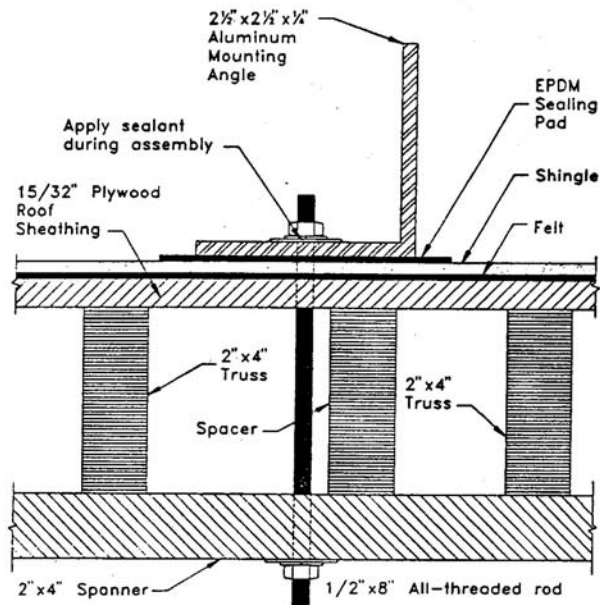


Figure 6. Spanner Mounting

In lag bolt mounting you must locate the center of the rafters along the top and bottom chalk lines. One method is to have one man on the roof and another in the attic. Using a hammer the man on the roof can tap the roof and determine where it is denser sounding. The roof man can drill a pilot hole while the attic man helps with distance corrections.

Then the attic man can call off the distance to the next rafter while the roof man drills corresponding pilot holes. Flashing the brackets is done as previously described. Secure the brackets to the roof using a 1/4" x 3" stainless lag screw, a flat washer, and a lock washer (Figure 7).

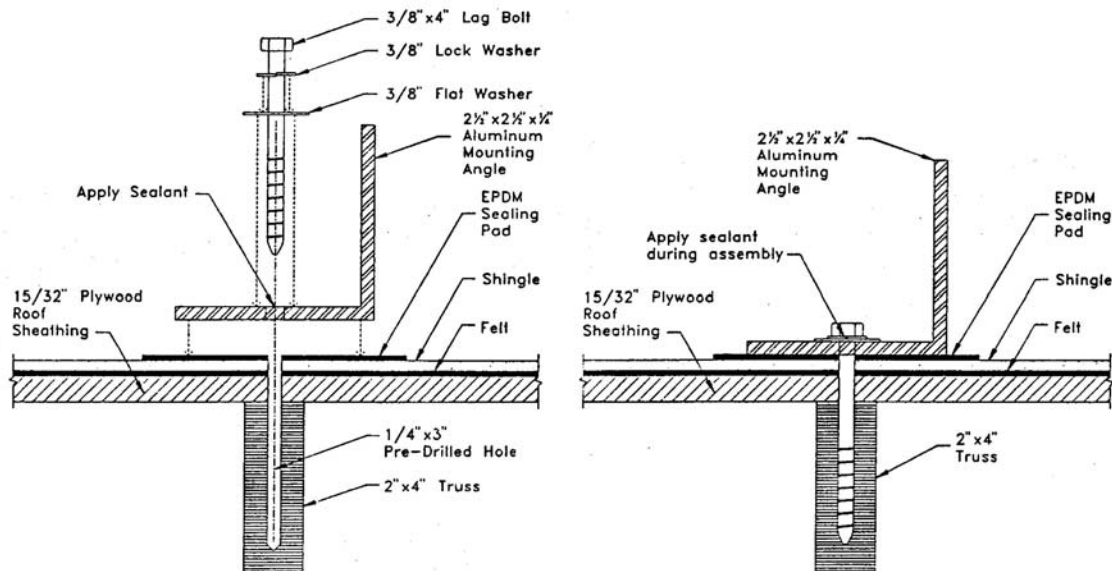
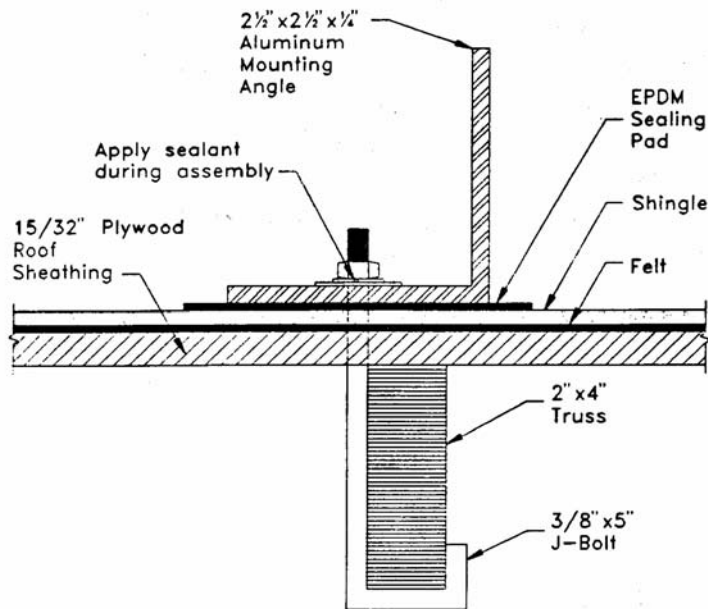


Figure 7. Lag Bolt Mounting

J-bolt mounting is done very similar to lag screw mounting except instead of drilling into the center of a rafter, a hole must be drilled directly beside a rafter. The size of the hole must be slightly larger than the bolt diameter. This is more easily accomplished if the attic man would drill a pilot hole through the roof along side the chosen rafter.

Fit the bolt through the mounting brackets and insert the bolt (J side first) through the hole in the roof. Work the J underneath the rafter before tightening the nut. Use double nuts or lock-washers to securely fasten the mounting bracket to the J-bolt (Figure 8).



**Figure 8. J-Bolt Mounting**

#### 4. MOUNTING HARDWARE SPACING

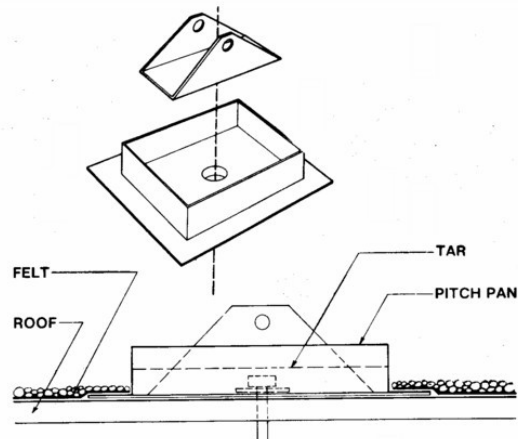
AE-Series			Center Line to Center Line (in.)		
Model	Size (ft)	Outside Box Dim. (in.)	AE-MH	AE-FM	AE-RM
AE-21	3 x 7	35.1875 x 85.1875	88.4375	88.9375	86.9375
AE-24	3 x 8	35.1875 x 97.1875	100.4375	100.9375	98.9375
AE-26	4 x 6.5	47.1875 x 77.1875	80.4375	80.9375	78.9375
AE-28	4 x 7	47.1875 x 85.1875	88.4375	88.9375	86.9375
AE-32	4 x 8	47.1875 x 97.1875	100.4375	100.9375	98.9375
AE-40	4 x 10	47.1875 x 121.1875	124.4375	124.9375	122.9375
MSC-Series			Center Line to Center Line (in.)		
Model	Size (ft)	Outside Box Dim. (in.)	MSC-MH	MSC-FRM	MSC-FM
MSC-21	3 x 7	35.8750 x 86.1250	90.5	87.375	37.125
MSC-24	3 x 8	35.8750 x 98.1250	102.5	99.375	37.125
MSC-26	4 x 6.5	47.8750 x 78.1250	82.5	79.375	49.125
MSC-28	4 x 7	47.8750 x 86.1250	90.5	87.375	49.125
MSC-32	4 x 8	47.8750 x 98.1250	102.5	99.375	49.125
MSC-40	4 x 10	47.8750 x 122.1250	126.5	123.375	49.125

**Table 3. Distance between centerlines of top and bottom mounts for all AE and MSC series**

#### 5. PITCH PAN

The pitch pan is necessary any time standing water is encountered (Figure 9). The purpose is to provide an adequate seal around any penetration in the roof.

- The pitch pan is placed in the proper position and flat on the roof.
- Its flange is sealed with roofing felt and hot tar.
- The holes are sealed on the inside with roofing tar to a sufficient level to insure a permanent seal.



**Figure 9**

## 6. ARRAY MOUNTING ON TILE ROOFS

Tile roofs are a little more difficult to mount solar collectors on but following this procedure will render a leak free installation.

The solar panels are mounted on two rails located at the top and bottom of the solar collectors. The collectors are secured to the rails using the AE rack mount hardware (AE-RM). The 1 5/8" Aluminum unistrut rails are anchored to the roof by using six or ten inch stainless steel 3/8" hanger bolts. These bolts are lag screw on the bottom and 3/8 NPT thread on the top. A ten foot length of unistrut should be anchored at three points, the middle and both ends.

### Procedure

- Cut 12" x 12" square pieces of lead flashing.
- Locate the roof rafters beneath the tile where the hanger bolts will be attached. Drill a 3/8" hole through the tile.
- Slide the 12" x 12" lead flashing under the tile located above the 3/8" hole, then drill through the lead flashing into the hole.

- Screw lag portion of the 3/8" hanger bolt into the rafter.
- Cut strips of the lead flashing about 1 1/2" long and wide enough that when you fold it into a tube is slightly larger in diameter as the hanger bolt.
- Using an acid core solder, weld the seam of the tube together.
- Slip this tube over the top of the hanger bolt protruding from the roof, then solder it to the 12" x 12" lead flashing.
- Thread down a stainless 3/8" nut to the bottom of the thread and seal the top of lead tube to the nut with a polybutalene caulk. Slip a 3/8" stainless washer on top of the nut.
- Place the 1 5/8" aluminum unistrut rail on the hanger bolt and secure with another 3/8" stainless washer and nut.

The rail is now secured, weather tight to the tile roof. Next, mount the AET solar collector to the rail using the AE rack mounts (AE-RM). See Figure 10.

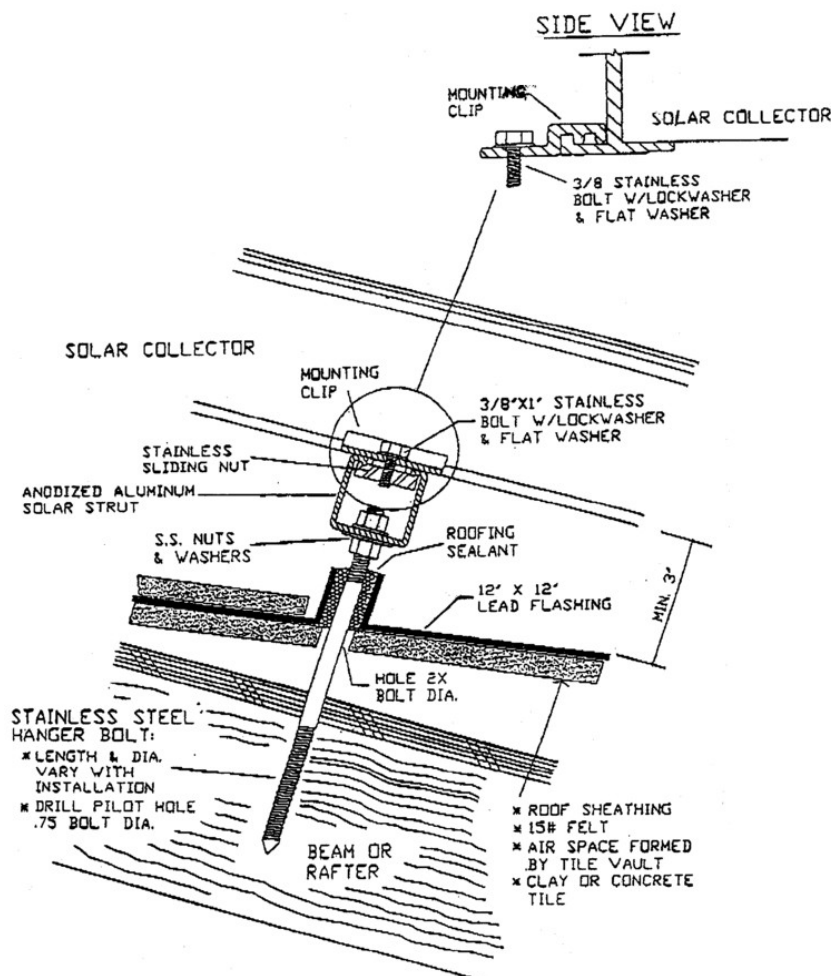


Figure 10

## 7. COLLECTOR PIPING

The piping of the system should be considered before a final decision is made on how the collectors are mounted. Piping should be made of copper tube of the type meeting local codes, insulated with Armaflex or similar, and painted or wrapped with aluminum tape where exposed to ultraviolet radiation.

Care should be taken in the spacing of collectors as attachment of piping is easiest with properly aligned collectors. The collectors and piping to the storage tank should be slightly sloped downward (3" in 8 feet) to allow draining in case of freezing conditions. Soldered connections should be made with 95/5 solder.

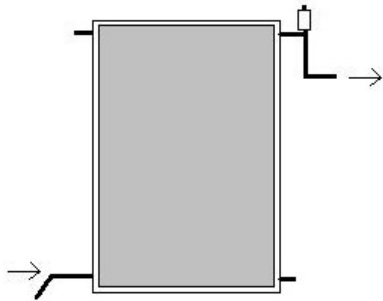


Figure 11

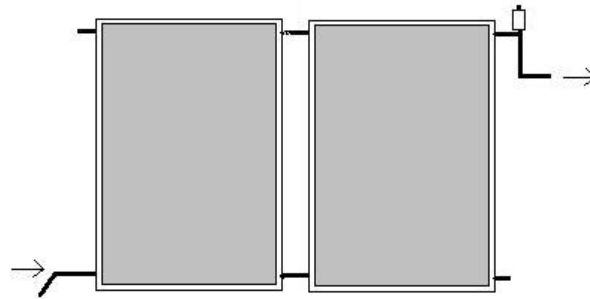


Figure 12

## 8. COLLECTOR PIPING DETAIL

The outlets of the collector are 1" copper pipe nipples (Figure 13). They should be piped as shown with provisions for an automatic air vent. This will prevent air lock and subsequent loss of system efficiency. The copper union makes attachment of piping to collector easy. Teflon tape or high temperature, high quality pipe sealant should be used when making threaded connections. The collector inlets should be piped similarly but without the automatic air vent.

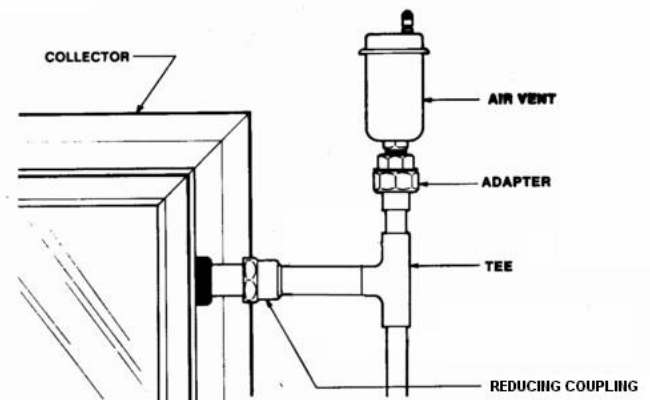


Figure 13

## 9. SENSOR MOUNTING AT COLLECTOR

The controller heat sensor is mounted to the nipple outlet of the collector (Figures 14). A stainless steel screw clamp should be used. The entire nipple should be wrapped thoroughly with insulating tape so that the sensor is isolated from the outside air.



Figure 14

## 10. PIPING THROUGH THE ROOF

Piping through the roof should be weatherproofed as shown in Figure 15.

- (a) One inch holes are drilled through the roof on the same plane as the supply and return header nipples. Do not drill the hole above the supply header of the collector. This will prevent the collector from draining. Placing the hole below the supply header is acceptable, but it is more aesthetic if it is located on the same plane
- (b) A copper flashing is placed around the hole with its base cemented to the roof and its upper edges slid under the adjoining shingle.
- (c) The copper tube supply and return line is then pushed up through the hole in the flashing.
- (d) A “coolie cap” is then slid over the copper tube till it meets the flashing. After piping to the collectors is completed, the “coolie cap” is soldered to the copper tube.
- (e) Polybutalyne adhesive is then placed on the top and bottom of the flashing, providing a weatherproof seal. The sensor wire should also be run through the return flashing.

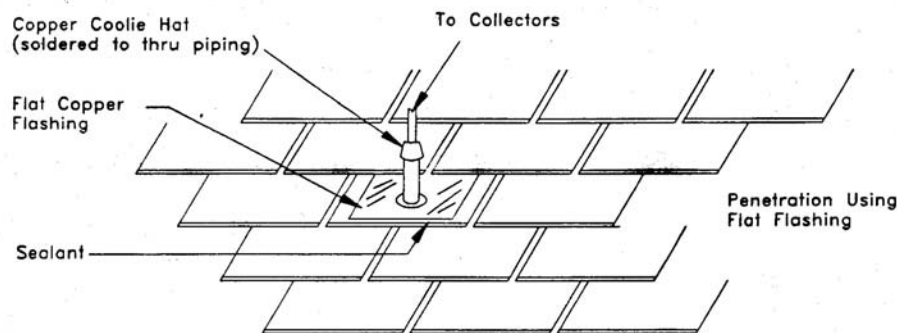


Figure 15

## 11. STORAGE TANK PLACEMENT

To minimize expense and heat loss, the tank should be placed near the collectors and central to points of greatest water demand. It should be located in as warm a spot as possible. It should be located with adequate ventilation, with a minimum of 6-8 inches of clearance and with ready access to controls and serviceable parts.

Provision should be made to prevent water damage in case of leakage. A catch pan with a minimum of  $\frac{3}{4}$ " drain line at least 2" in height may be installed and pitched for proper drainage. Electrical service of 240V should be available for the element and 110V for the pump and controller.

## 12. SENSOR MOUNTING AT STORAGE TANK

On the closed loop Rheem tanks the heat sensor mounting is located behind the round cover located at the bottom front of the 80 gallon storage tank.

Procedure:

- A) The round cover located on the bottom front of the tank should be removed and the fiber glass insulation pushed aside so that the wall of the tank is accessible.
- B) Remove the 1/2" brass plug from the tank.
- C) After sealing the 1/2" lug sensor with teflon tape or pipe tape, screw it into the 1/2" threaded hole.
- D) Attach 18/2 sensor wire to the wires of the sensor. It does not matter which sensor wire is attached to the thermostat wire. Run the thermostat wire up the tank to the controller and attach it to the terminals marked tank or water.
- E) Replace the insulation and cover.

## 13. CLOSED LOOP FLUID HANDLING SYSTEM

In locations where there are more than 15 freezing nights per year, or where corrosion or mineral build-up is a problem, an Eagle Sun closed loop system is recommended. The closed loop system provides separate anti-freeze solution to be pumped to the collectors preventing freeze damage and inhibiting corrosion and mineral buildup. The tank comes equipped with a heat exchanger located in the bottom interior. The pump provides flow to the collectors while flow to the tank and outlets in the house are provided by city water pressure. When the collectors are at a higher temperature than the tank, the pump is switched on. This function is

controlled by as differential temperature controller. The piping is shown in Figure 16.

The closed loop should be charged with an antifreeze solution to a pressure of system height divided by 2.31 plus 20 psi, not to exceed 30 psi when cold. Air vents at the top of the system prevent air locks. Care should be taken that no air can be trapped in lines to and from collectors. A pressure gage monitors the system pressure and indicates any leakage of fluid.

A backup element is provided in the top of the tank to supply hot water during inclement weather. Power required is 240 Volts.

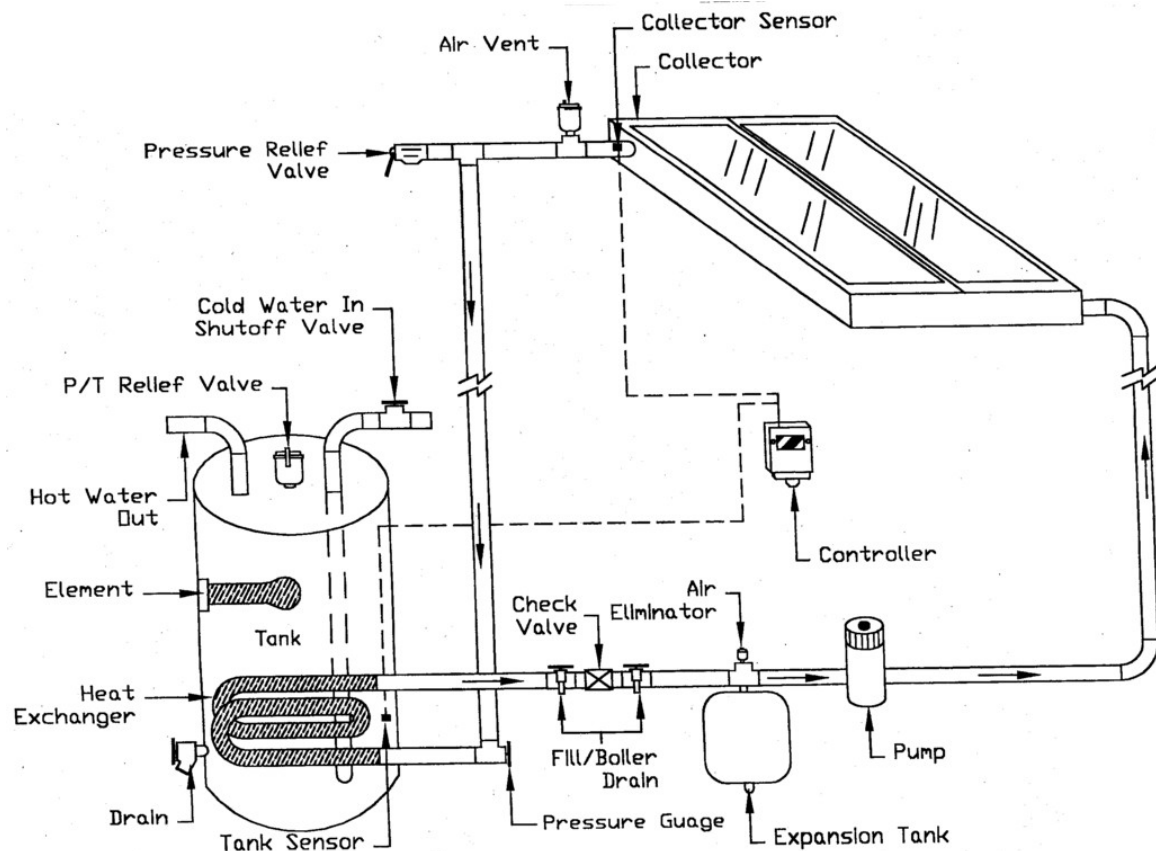


Figure 16

#### 14. CLOSED LOOP DIFFERENTIAL TEMPERATURE CONTROLLER

NOTE: When instructions are provided in the controller package, follow those and disregard the following.

The closed loop differential temperature controller controls the pump to achieve maximum system efficiency. When one of the two heat sensors provided with the unit rises nominally  $10^{\circ}\text{F}$  above the other sensor, a power control relay is energized. Then, when the first sensor drops to within  $5^{\circ}\text{F}$  of the second sensor, the control relay contacts are opened. As long as the "turn-on differential of  $10^{\circ}\text{F}$  is exceeded, the control relay remains (The  $5^{\circ}\text{F}$  value is designated as the "turn-off differential.") The first sensor is called the COLLECTOR SENSOR, since when properly installed monitors the temperature of

the water in the solar collector. The second sensor is called the STORAGE SENSOR. Mount the controller in any position or location that is convenient and sheltered from the elements. Aesthetics and economy of running power leads should dictate the location, since there is no restriction on the length of leads to the sensors. Connections to the circuit terminal strip inside the controller enclosure should be made according to Figure 17. ALL CONNECTIONS SHOULD BE MADE WITH ACCORDANCE WITH LOCAL ELECTRICAL CODES.

## Specifications:

### **OPERATING VOLTAGE**

105 to 125 vac, 60 Hertz

### **CONTROL RELAY CONTACT RATING**

One third HP inductive load.

### **TURN-ON DIFFERENTIAL**

10°F (+1°F) for Storage Sensor at 135°F

### **TURN-OFF DIFFERENTIAL**

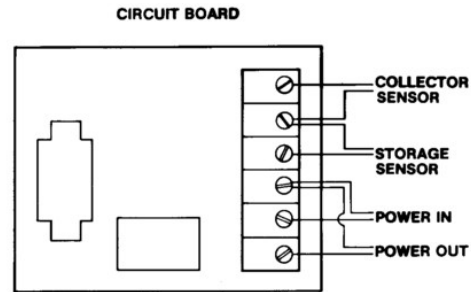
5°F (+1°F) for Storage Sensor at 135°F

### **SENSOR MATCHING ACCURACY**

1°F or less at 135°F

### **MAXIMUM SENSOR TEMPERATURE**

300°F



**Figure 17**

## 15. CLOSED LOOP START-UP

After installation and final inspection the system should be filled and checked for leaks at 1 ½ times the normal working pressure for at least ½ hour. The collector side should be filled with a solution of non-toxic antifreeze such as propylene glycol, corrosion inhibitors, and water. The mixture should be of adequate concentration for freeze conditions in the geographical location of the system.

## 16. CLOSED LOOP MAINTENANCE

Closed loop system maintenance includes changing the antifreeze solution every four years, or when the pH of the fluid becomes unstable. To do this, the system should be drained, flushed with fresh water, and recharged as in step 20. The pressure gage will indicate any system leakage.

The collector glass should be kept clean for best system performance. Rain water will usually suffice but a garden hose will help during dry periods. The air vent caps should be loosened two turns for best system performance.

## 17. CLOSED LOOP PV SYSTEM

The single photovoltaic module, attached to the top of the solar collector (Figure 18) operates a brushless 12 VAC or 24 VAC pump at a speed relative to the amount of available sun. When clouds pass over, the pumping operation slows to allow the water to remain in the collector longer for continued heating. When the sun goes down in the evening the pumping action will stop.

The solar system is installed as per the closed loop installation manual. The photovoltaic module will replace the differential control and sensors. Be sure

to mount the panels on the same plane as the solar collector.

When wiring the photovoltaic module to the circulating pump use 16 gage stranded double exterior PVC jacketed wire for lengths up to 85 feet for 10 and 25 watt modules. Use 14 gage for over 85 feet for a module over 1.4 amps. When wiring the module to the pump remember that the black wire is always ground and the red wire is the hot wire. Do not reverse the polarity.

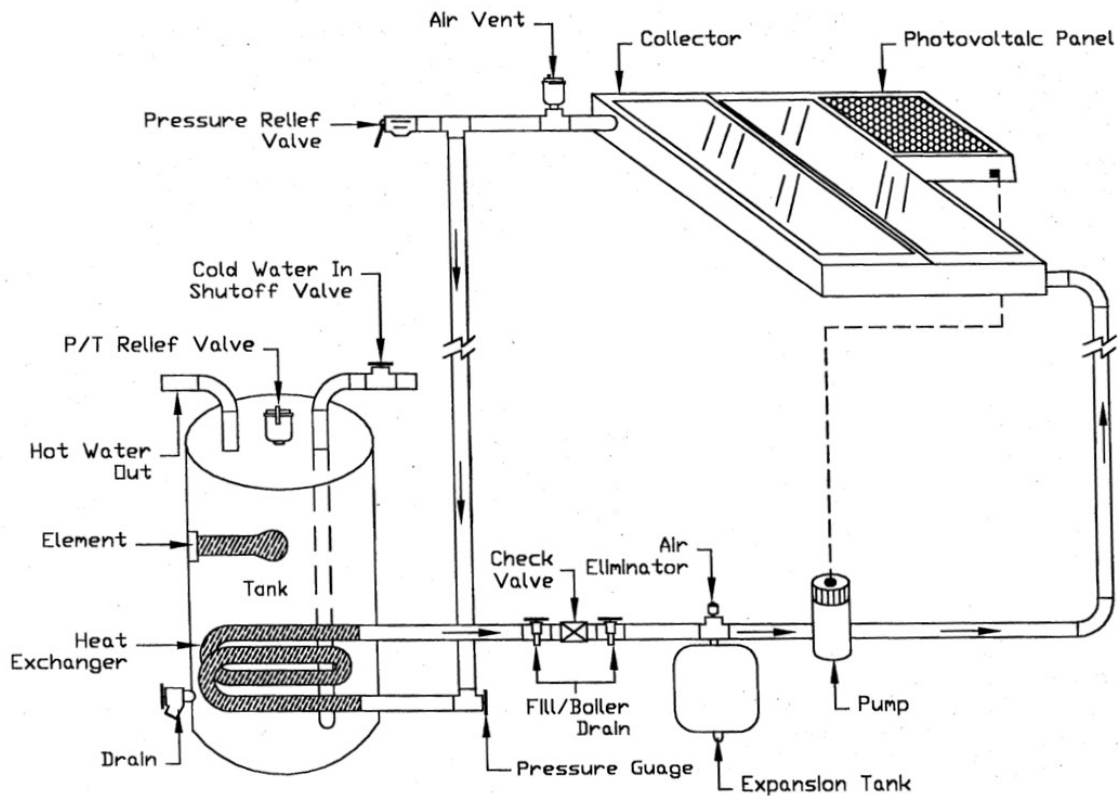


Figure 18

## 19. OPERATIONAL CHECKLIST

Before the system is turned on, the piping and electrical systems should be evaluated to see if they match the supplied drawings. If you are satisfied that the system is installed correctly, it should be filled and powered according to the preceding instructions. When the system is in the operational mode, care should be taken to check all piping for leaks and to make sure sufficient insulation has been used to provide maximum system efficiency. All modes of operation should be checked by the installer to assure proper functioning under all conditions.

### TROUBLE SHOOTING GUIDE

Problems with systems usually fall under two categories: system leaks or lack of sufficient solar heated water.

#### LEAKS

If leaks exist the system should be shut down for repairs. Make sure the electrical circuit to the controller is off. Close off the cold water inlet or in case of a leak in the closed loop system, isolate as much of the system as possible and then drain and repair the affected area.

There is a possibility that what appears to be leaks may be condensation on the pipes. Also water escaping for the T & P valve may be an indication of proper function as they are designed to vent off excess temperature and pressure.

#### INSUFFICIENT HOT WATER

If insufficient hot water is available a system malfunction may not be indicated. A low amount of solar radiation or heavy water demand can be the cause.

If no excessive demands are put on the system and ample solar radiation is available, the system should operate properly. The pump should run each sunny day until a full supply of hot water is stored. If the pump does not run, there is a problem on the electrical end of the system. Either the pump,

controller, or sensors are malfunctioning. The controller can be bypassed by running a power cable directly to the pump and checking its function separate from the control system. Make sure that the problem is not a blown fuse or a tripped breaker. If the pump runs normally when powered externally, the control circuit is the problem area. Eagle Sun controllers use thermistor sensors to determine modes of operation. A controller tester is available from AET for checking differential function. Check sensor wiring. If no faulty wiring can be discovered, replace sensors.

If the pump is running all the time, even when the collectors are cool, then the storage sensor or collector sensor may be open. It is also possible that the sensor wire itself is at fault. To check this, test the continuity with an ohm meter. Be sure to disconnect the sensor when performing this test. Test the wire with both ends open, then retest often twisting the 2 sensor wires together at one end. The system can be set on a timer or switched on manually until the controller is properly functioning.

#### CONDENSATION ON COLLECTORS

If condensation occurs inside the collectors, ¼" vent holes should be drilled in the lower side of the collector. Three holes should be drilled, one at each end of the bottom of the collector and one in the center. These holes should be drilled 1" from the base of the collector

This should clear up any condensation within three days.

#### OTHER PROBLEMS

A noisy pump is an indication of worn bearings obstruction or loss of prime. As a rule of thumb about 8 to 12 degrees should be expected as a normal gain across a collector in bright sun at proper flow rate.

## SYSTEM PARTS LIST

Solar Collectors  
 Set of Mounting Hardware for each collector  
 Hot Water Storage Tank  
 Circulator Pump  
 Pump Flanges  
 Differential Temperature Controller  
 Controller Sensors  
 Fluid circulation components (valves and fittings)  
 Installation Manual

## COLLECTOR YARD MOUNT

When no sunny roof area is available or for “show” systems, the collectors can be mounted on the ground as shown in Figure 19. The piping and control wiring to the tank should be insulated and buried. It is important that the length of these piping runs be minimized.

Notes:

1. Front edge of collector should be 18” above ground
2. Use washers on all bolted wood connections
3. All pieces must be measured and cut to orient collector at latitude + 10° – consult trigonometric reference.
4. Piping to collector may be buried.

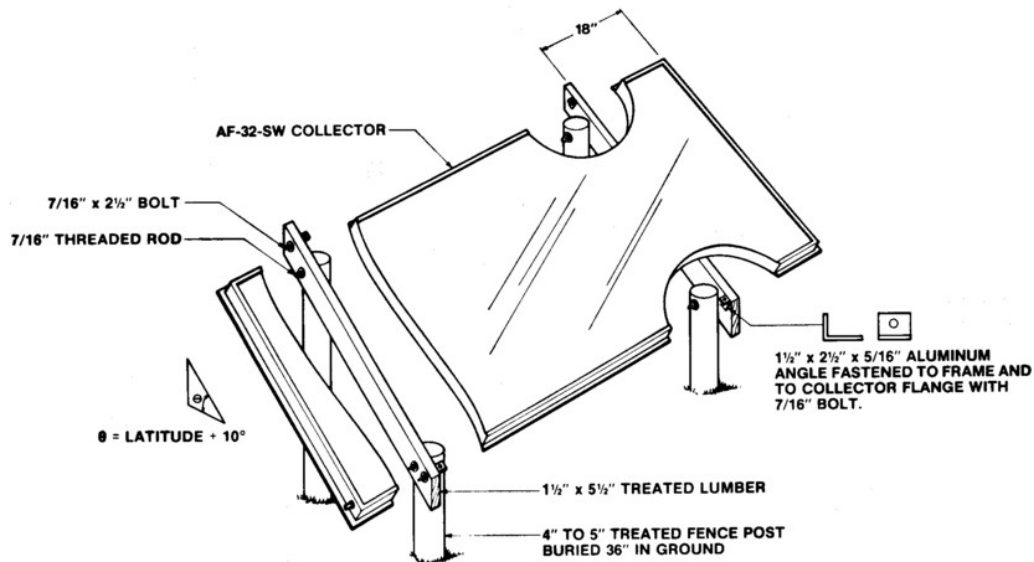


Figure 19