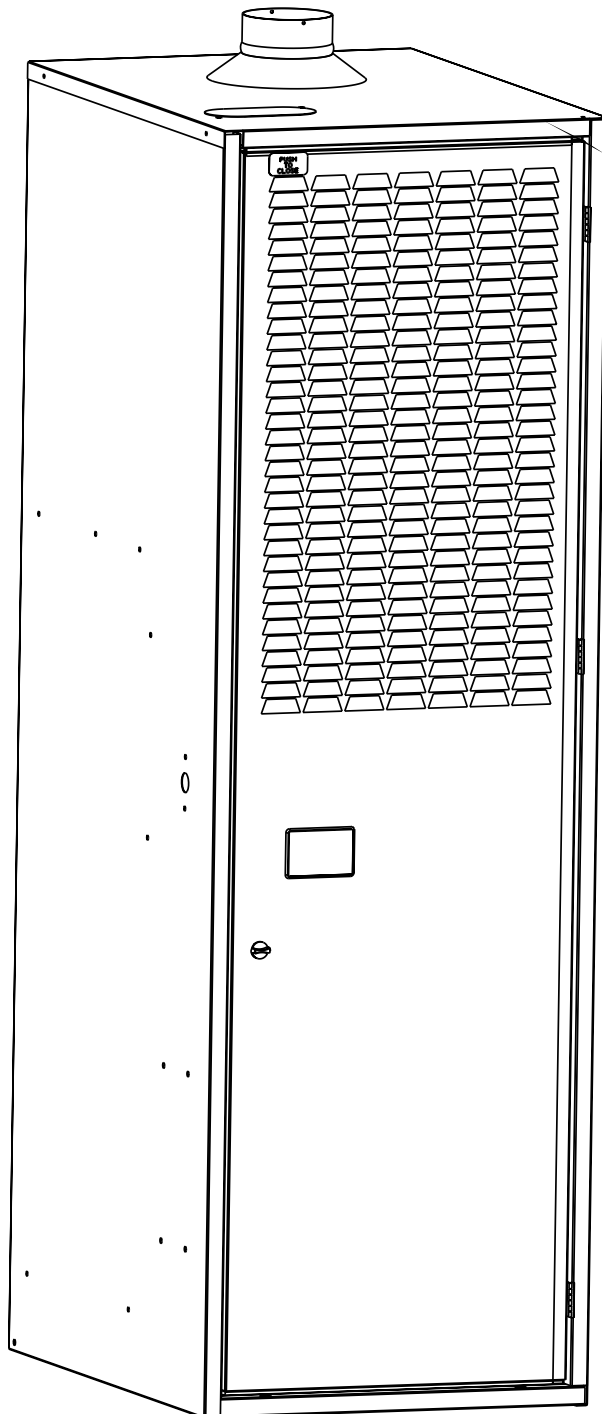


**CMF Series Downflow Furnace**





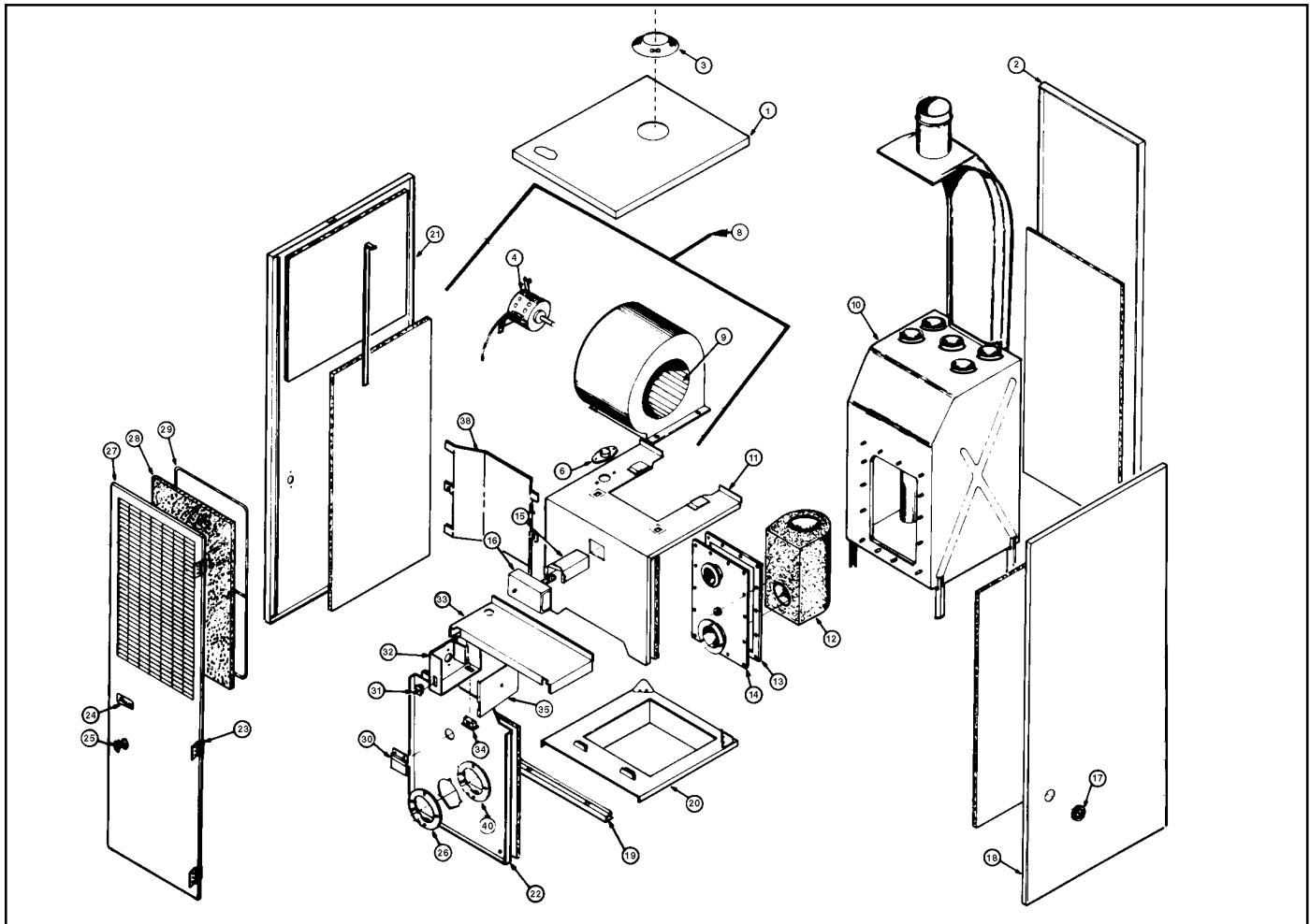
## CMF Series Downflow Furnace - CMF80 Convertible and CMF100

ITEM NO.	PART NO.	DESCRIPTION
1	244630	Top Panel
2	244570	Rear Panel Assembly
3	200763000	Collar, Flue Pipe
4	903807	<sup>1</sup> Blower Motor (AO Smith)
	902127	<sup>2</sup> Blower Motor (3 Speed)
5	262980	Blower Motor Wire Harness (Not Shown)
6	626465	Limit Switch, Aux.
7	621435	Capacitor 10/370 MFD
	621433	Blower Motor Capacitor 5/370 MFD
8	903866	Completed Blower Assembly 10x7
9	667276	Blower Assembly 10x7 (wheel & housing)
10	902808	Heat Exchanger Assembly
11	244610	Blower Deck Assembly
12	901818	Combustion Chamber
13	301205000	Gasket, Burner Plate
14	356750	Burner Plate Weldment
15	103708000	Shield Fan & Limit
16	626436	Control, Fan & Limit
17	631670	Grommet
18	244580	Right Panel Assembly
19	264860	Pan, Bottom Front
20	244520	Bottom Panel Assembly
21	244590	Panel Assembly, Left
22	244600	Panel Assembly, Division

ITEM NO.	PART NO.	DESCRIPTION
23	301308000	Hinge
24	687013	Brand Label, Miller
	687012	Brand Label, Intertherm
25	103887000	Latch Assembly
26	660604	Burner Mounting Gasket
27	901689	Door Assembly
28	669073	Filter
29	302257000	Filter Retainer
30	249290	Observation Door Assembly
31	304629000	Switch
32	244540	Junction Box Weldment
33	383250	Divider, Vestibule
34	103278000	Receptacle
35	244560	Junction Box Cover
38	902960	Sound Baffle
39	728483	Replacement Door Seal (Not Shown)
40	688982	Gasket, Burner
41	660604	Kit, Stud Replacement (Not Shown)
42	663734	Burner Flexible Hose (Not Shown)
43	606208	Hose Clamp (Not Shown)

<sup>1</sup>Use 621435 Capacitor

<sup>2</sup>Use 621433



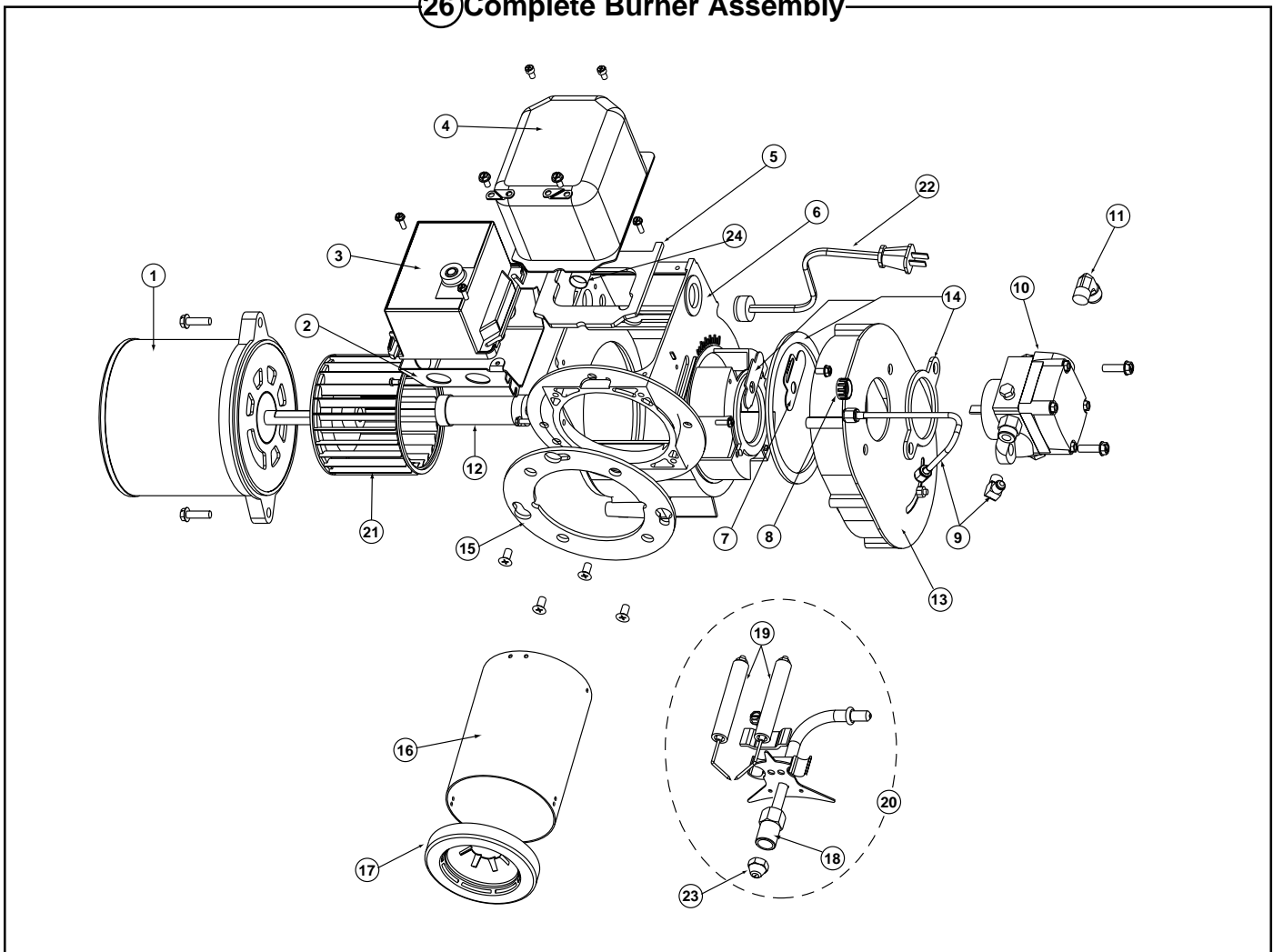
## CMF Series Downflow Furnace - AF-15 Beckett Oil Burner For Power Oil Models

ITEM NO.	PART NO.	DESCRIPTION	CMF 080	CMF 100
1	621945	*Motor, PSC, 21805U	X	X
	917302	Motor	X	X
2	660591	Mounting Box	X	X
3	624629	*Primary Control (HW), 7455U	X	X
	624284	Primary Control (WR)	X	X
	624503	Primary Control (HW)	X	X
4	621943	*Transformer, 51771U	X	X
	621607	Transformer (10K Volts)	X	X
5	660914	Gasket Kit (Transformer)	X	X
6	660282	Housing	X	X
7	660592	Escutcheon Plate	X	X
8	660593	Locknut	X	X
9	660594	Oil Line Kit	X	X
10	660323	Fuel Pump	X	X
11	660595	Street Elbow	X	X
12	660596	Coupling Kit	X	X
13	356431	Inlet Air Box Assembly	X	X
14	660915	Gasket Kit (Inlet Box)	X	X

ITEM NO.	PART NO.	DESCRIPTION	CMF 080	CMF 100
15	660597	Mounting Flange	X	X
16	660598	Air Tube	X	X
17	103991001	Burner Head (CMF 80)	X	
	103991000	Burner Head (CMF 100)		X
18	660059	Nozzle Adaptor	X	X
19	660599	Electrode Kit	X	X
20	660600	Gun Drawer Assy	X	X
21	660048	Blower Wheel	X	X
22	660601	Power Cord	X	X
23	660677	Nozzle (0.60 GPH)	X	
	660681	Nozzle (0.65 GPH)		X
24	660602	Flame Detector (WR)	X	X
	660603	Flame Detector (HW)	X	X
25	660604	Burner Mounting Gasket (N/S)	X	X
26	903940	*Complete Oil Burner Assembly - 75	X	
	903941	*Complete Oil Burner Assembly - 90		X
	903447	Complete Oil Burner Assembly - 75	X	
	903449	Complete Oil Burner Assembly - 90		X

WR = White Rodgers    HW = Honeywell  
\*Current production components. Added on 03/01

### 26 Complete Burner Assembly

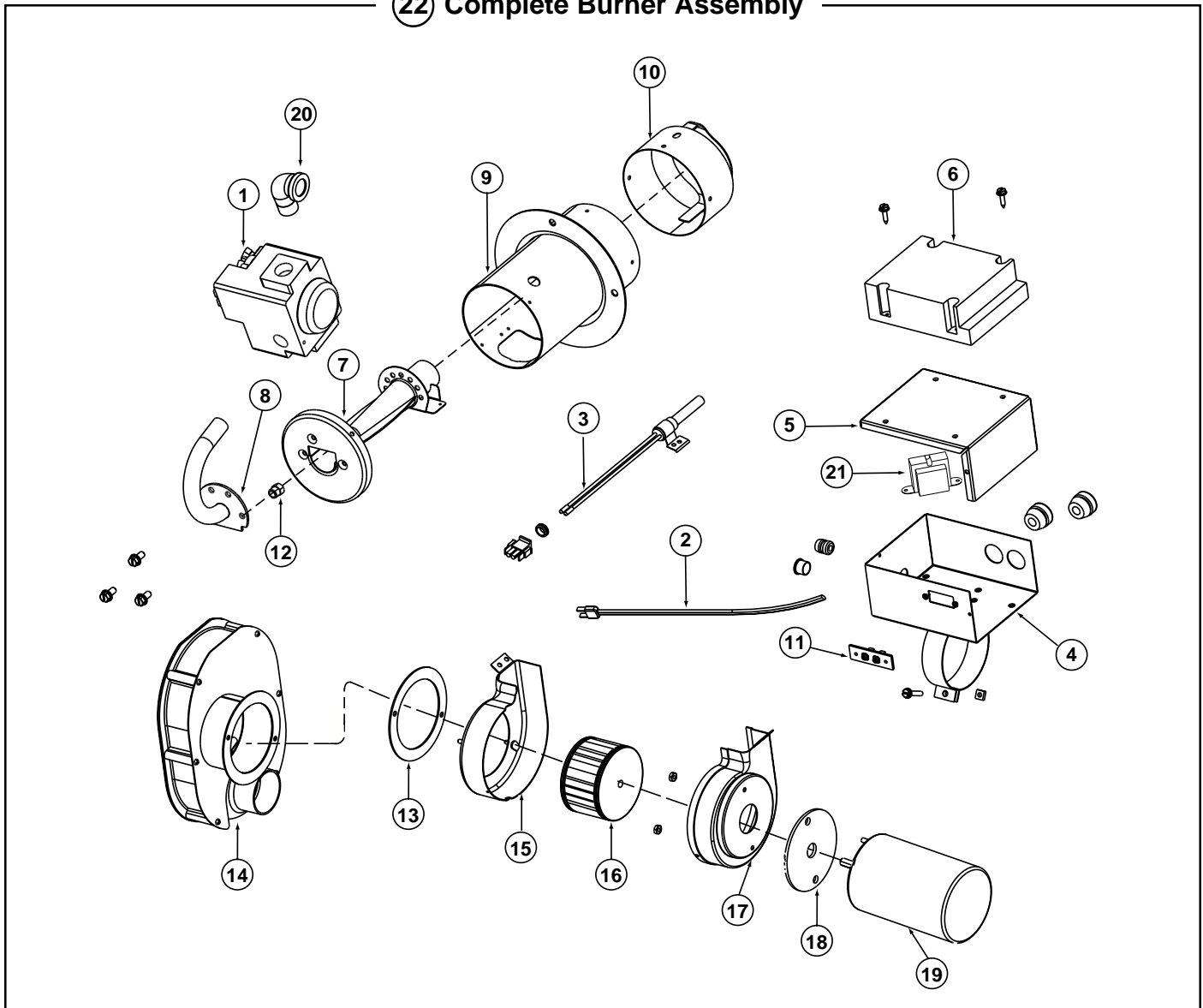


## CMF Series Downflow Furnace - Direct Ignition Gas Burners For Power Gas Models

ITEM NO.	PART NUMBER	DESCRIPTION	CMF 080	CMF 100
1	624490	Gas Valve (Robertshaw)	X	X
2	634568	Power Supply Cord	X	X
3	902661	Ignitor	X	X
4	248180	Electric Box Assembly	X	X
5	352930	Electric Box Cover	X	X
6	626421	HSI Control	X	X
7	375090	Venturi	X	X
8	258360	Manifold Assembly	X	X
9	264880	Tube Assembly	X	X
10	248750T	Air Cone Assembly	X	X
11	632083	Terminal Board	X	X
12	661020	Burner Orifice (NAT) #20	X	
	661040	Burner Orifice (LPG) #40	X	

ITEM NO.	PART NUMBER	DESCRIPTION	CMF 080	CMF 100
12	661016	Burner Orifice (NAT) #16		X
	661036	Burner Orifice (LPG) #36		X
13	689032	Adapter Burner Gasket	X	X
14	356432	Inlet Air Box Assy-Gas Gun	X	X
15	265130	Blower Assembly-Left	X	X
16	667185	Blower Wheel	X	X
17	352880	Blower Assembly-Right	X	X
18	689589	Motor Mounting Gasket	X	X
19	621077	Motor	X	X
20	662095	Street Elbow	X	X
21	621096	Transformer	X	X
22	903446	Complete Gas Burner CMF 80 Conv.	X	
	903448	Complete Gas Burner CMF 100		X

### 22 Complete Burner Assembly



# ACCESSORIES

## CMF Conversion Kits

PART NO.	DESCRIPTION
903099	CMF80PG 80 Kbtu/h to 65 Kbtu/h Conv. Kit
903100	CMF80PO 80 Kbtu/h to 65 Kbtu/h Conv. Kit
903101	CMF80PG 80 Kbtu/h to 100 Kbtu/h Conv. Kit
903102	CMF80PO 80 Kbtu/h to 100 Kbtu/h Conv. Kit

## Miscellaneous

PART NO.	DESCRIPTION
104142000	Protective Cap (for two piece roofjack assemblies)
902095	Automatic Shut Off Damper**
901855	New England Safety Kit
903456	Combustion Air Inlet Adapter Kit
903457	Sloped Roof Direct Vent Kit
903496	Combustion Air Pipe Extension Kit (for high snow accumulation areas)

\*\*Required when home is air conditioned by a self-contained unit.

## CMF Base Packages

PART NO.	DESCRIPTION
901696	CB-200A Cottage Base
903452	MA-200 Base Package with 3" feeder duct
903453	MA-200 Base Package with 8" feeder duct
903454	MA-200 Base Package with 13" feeder duct
903450	MA-100 Universal Base Package with 8" feeder duct
903451	MA-100 Universal Base Package with 13" feeder duct

## Adapters

PART NO.	DESCRIPTION
100447000	RA-S2.5 Roof Jack Assembly
100448000	RA-S3.0 Roof Jack Assembly
101561000	RA-S4.0 Roof Jack Assembly

## Roofjacks

PART NO.	DESCRIPTION
104060000	SRJ1 Roof Jack Assembly
104060003	SRJ2 Roof Jack Assembly
104060015	SRJ3 Roof Jack Assembly
104060018	SRJ4 Roof Jack Assembly
104060024	SRJ5 Roof Jack Assembly

## Vent Pipes

PART NO.	DESCRIPTION
103947002	Vent Pipe-28
103947004	Vent Pipe-34
103947005	Vent Pipe-40
901697	Offset Vent Pipe

# ORDERING INFORMATION

Please specify Model No. and Serial No. along with the exact part number(s) when ordering parts from the nearest authorized Dealer or Service Center.



