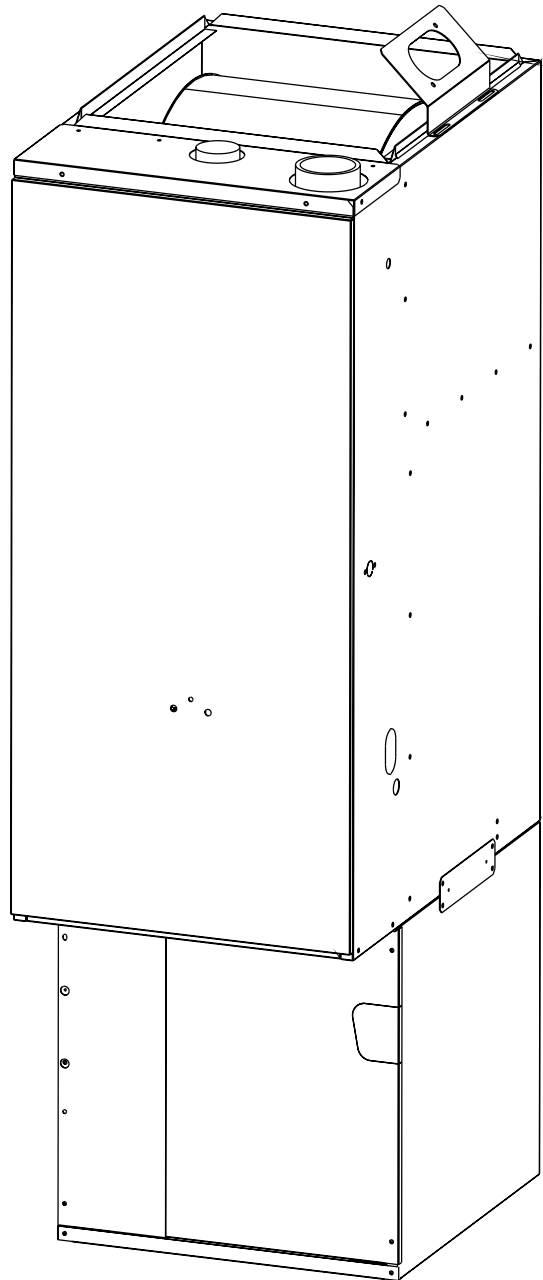


Upflow Model



Downflow Model

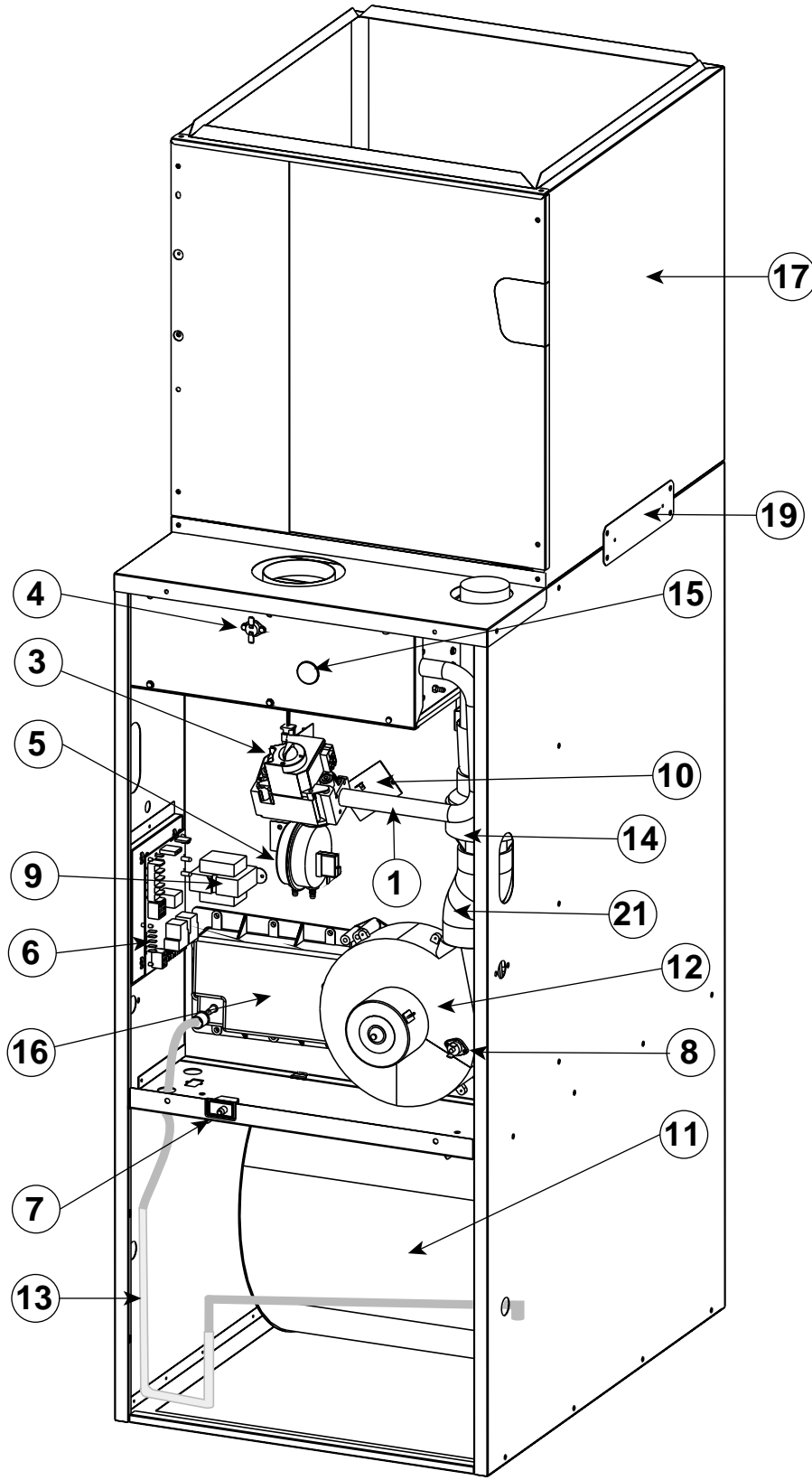
Table of Contents

M2RC Upflow Replacement Parts List	4
M2RC Exploded View.....	5
M2RL Downflow Replacement Parts List	6
M2RL Exploded View	7

M2RC Upflow Condensing Furnaces

ITEM NO.	DESCRIPTION	80,000 BTUH Input	100,000 BTUH Input
1	Manifold	663551	663552
2	Flame Sensor (Not Shown)	632316	632316
3	Gas Valve	624610	624610
4	Roll-Out Limit Switch (155°F) (Not Shown)	626422	626422
5	Pressure Switch	632252	632252
6	Control Board, Integrated	903106	903106
7	Switch, Blower Door	632319	632319
8	Vent Safety Limit Switch (160°F)	626461	626461
9	Transformer	621486	621486
10	Limit Switch (210°F)	626425	
	Limit Switch (195°F)		626419
11	Blower Assembly	902815	902815
12	Blower, Inducer (with gasket)*	903962	903962
12a	Blower, Inducer (with gasket)	902977	902977
13	J Trap Hard Tube	663706	663706
14	In-Line Drain Assembly	663714	663714
15	Burner Box Assembly (Nat. Gas Ready)	D09391	D09393
	Burner Box Assembly (LP Gas Ready)	D09392	D09394
16	Box, Header Outlet Plus Sealant	903104	903104
17	Cased Coil Wrapper	914958	914958
18	Filter (18 5/8 x 26 1/2 x 1/4) (Not Shown)	669300	669300
19	Attachment Bracket	265450	265450
20	Turbulator (Not Shown)	D01220	D01220
21	Coupling Neoprene	663709	663709
22	Orifice, Inducer (Not Shown)	151886	151884
23	Inshot Burner (Not Shown)	660812	660812
24	Orifice, Natural Gas #45 (Not Shown)	661045 (4)	661045 (5)
	Orifice, LP Gas #55 (Not Shown)	661055 (4)	661055 (5)
25	Ignitor (Not Shown)	903110	903110
26	Heat Exchanger Assembly (Not Shown)	D04540	D04550
27	Capacitor Assembly, 10 MFD, 370V (Not Shown)	621435	621435
28	Blower Wheel CCW (Not Shown)	667271	667271
29	Motor - 1/2 HP (4 Speed) (Not Shown)	902128	902128
30	Access Doors, Set (Not Shown)	903113	903113

* Note: Effective Date: 09/01/01



M2RL Downflow Condensing Furnace

ITEM NO.	DESCRIPTION	60,000	80,000	100,000
1	Manifold	663649	663649	663650
2	Flame Sensor (Not Shown)	632316	632316	632316
3	Gas Valve	624610	624610	624610
4	Roll-Out Limit Switch (155F) (Not Shown)	626422	626422	626422
5	Pressure Switch	632252	632252	632252
6	Integrated Control Board	903106	903106	903106
7	Switch, Blower Compartment Door (Not Shown)	632319	632319	632319
8	Vent Safety Limit Switch (160°F)	626461	626461	626461
9	Transformer	621486	621486	621486
10	Limit Switch (135°F)	626447		
	Limit Switch (140°F)		626446	
	Limit Switch (160°F)			626484
11	Blower Assembly	902815	902815	902815
12	Blower, Inducer (with gasket)*	903962	903962	903962
12a	Blower, Inducer (with gasket)	902977	902977	902977
13	J Trap Hard Tube	663706	663706	663706
14	In-Line Drain Assembly	663714	663714	663714
15	Burner Box Assembly (Nat. Gas Ready)	D09425		
	Burner Box Assembly (Nat. Gas Ready)		D09421	D09423
	Burner Box Assembly (LP Gas Ready)	D09426		
	Burner Box Assembly (LP Gas Ready)		D09422	D09424
16	Box, Header Outlet With Sealant	903104	903104	903104
17	Cased Coil Wrapper	914958	914958	914958
18	Filter (18 x 20 x 1) (Not Shown)	668860	668860	668860
19	VentilAire Bracket	265440	265440	265440
20	Attachment Bracket	265450	265450	265450
21	Turbulator (Not Shown)	D01220	D01220	D01220
22	Limit Switch, Auxillary (120F) (Not Shown)	626444	626444	626444
23	Orifice, Inducer (Not Shown)	151884	151884	151888
24	Inshot Burner (Not Shown)		660812	660812
	Inshot Burner (Not Shown)	660923		
25	Orifice, Natural Gas #45 (Not Shown)		661045 (4)	661045 (5)
	Orifice, Natural Gas #49 (Not Shown)		661049	661049
	Orifice, LP Gas #55 (Not Shown)		661055 (4)	661055 (5)
	Orifice, LP Gas #56 (Not Shown)	661056		
26	Ignitor (Not Shown)	903110	903110	903110
27	Heat Exchanger Assembly (Not Shown)	D00603	D00603	D00604
28	Capacitor Assembly, 10 MFD, 370V (Not Shown)	621435	621435	621435
29	Blower Wheel CCW (Not Shown)	667271	667271	667271
30	Motor-1/2 H.P. (Not Shown)	902128	902128	902128
31	Access Door (Not Shown)	903116	903116	903116

* Note: Effective Date: 09/01/01

