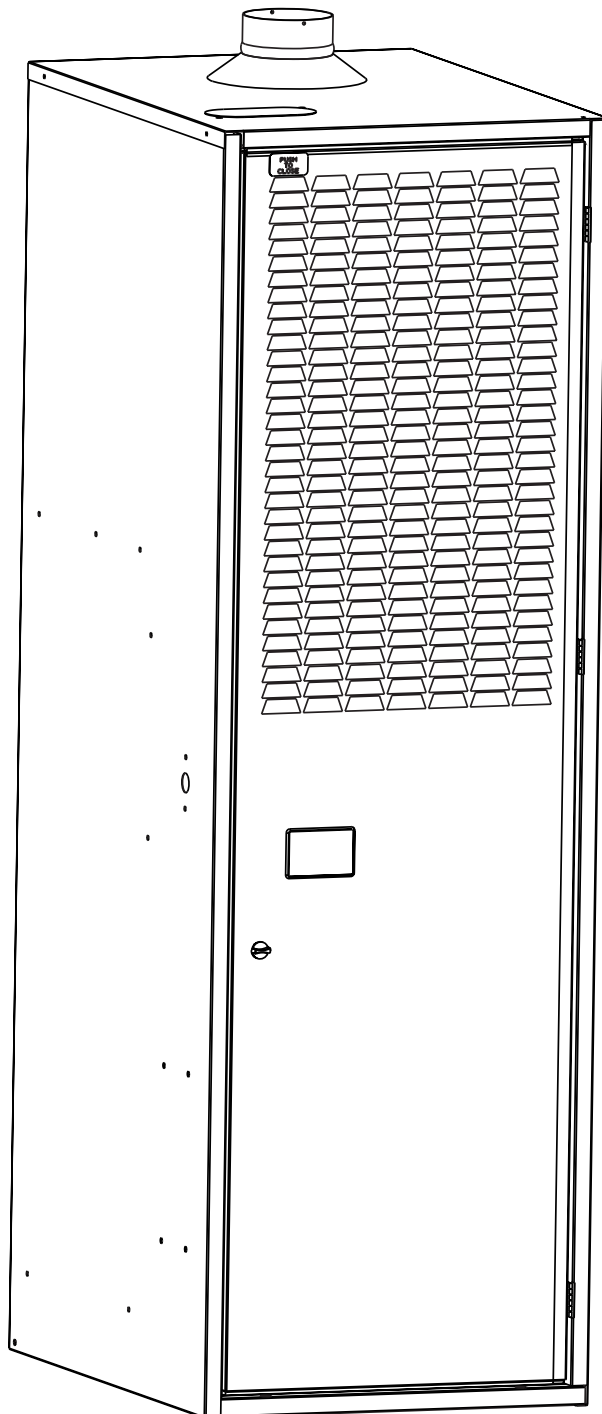


REPLACEMENT PARTS LIST

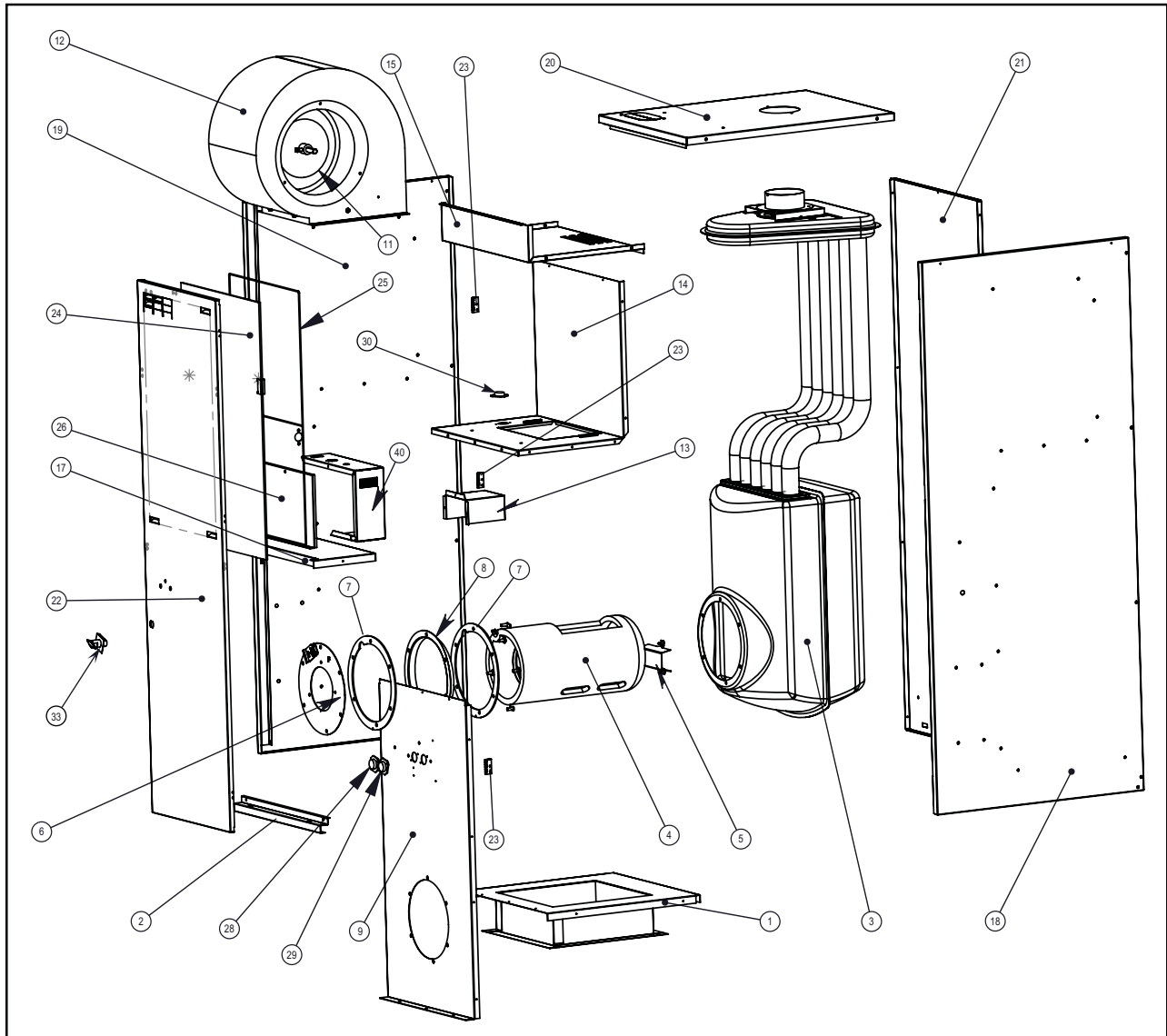
CMF2 Series Downflow Furnace



CMF2 Series Downflow Furnace - CMF80 Convertible and CMF 100

ITEM NO.	PART NO.	DESCRIPTION
1	M0030804R	Bottom Support Panel
2	264860	Bottom Front Panel
3	M0031201	Complete HE Assy
4	660906	Combustion Chamber
5	383720	Chamber Bracket
6	383690	Burner Plate
7	689528	HE Gasket
8	383600	Comb. Chamber Ring
9	M0030805R	HE Panel
10	689970	HE Top Insulation
11	904502	Blower Motor (AO Smith)
12	903866	Complete Blower Assy
13	262980R	Motor Blower Harness
14	290481	Blower Deck
15	290491	Upper Partition
16	290501	Fan Limit Shield
17	290511	Shelf
18	M0030801R	Right Side Panel
19	M0030802R	Left Side Panel

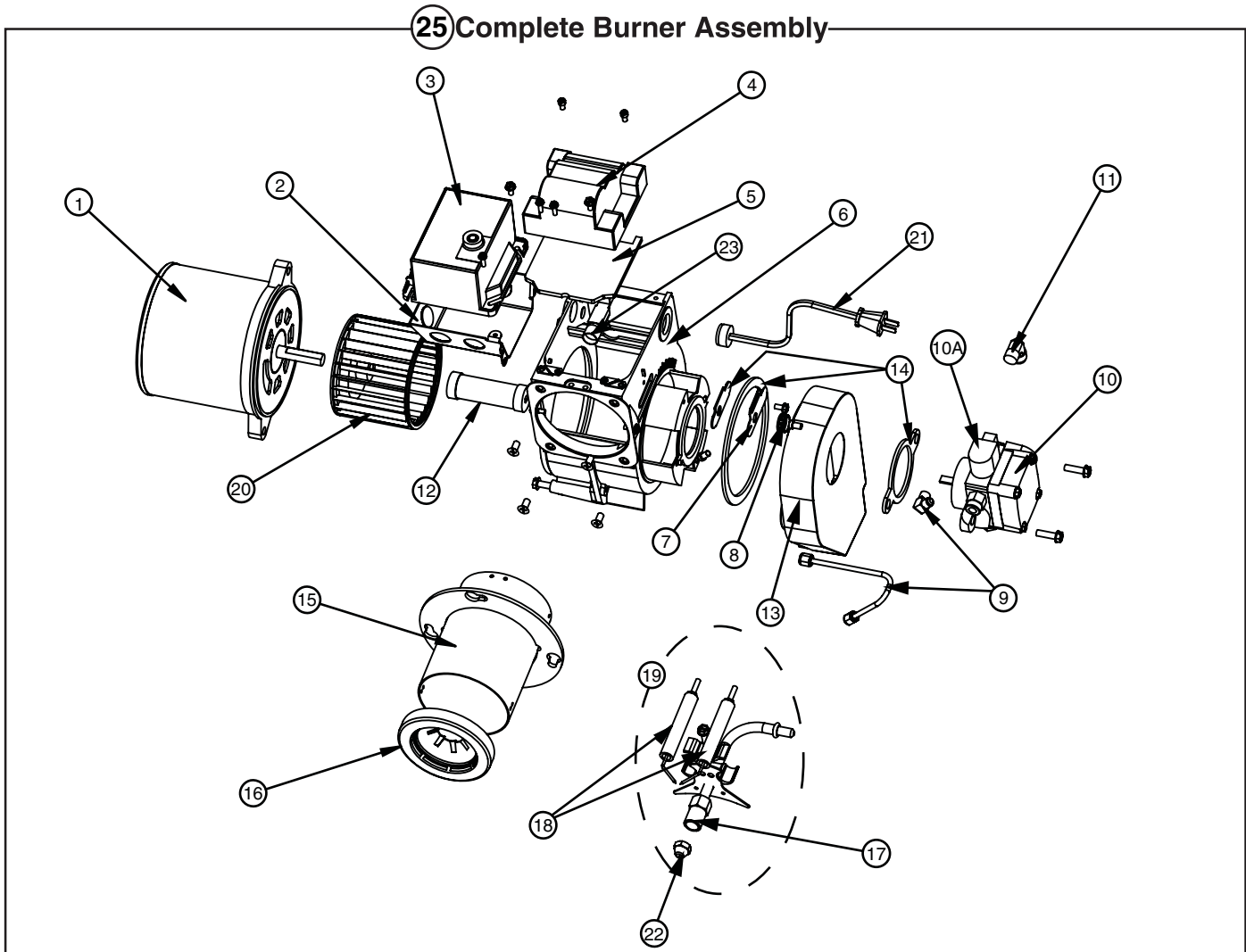
ITEM NO.	PART NO.	DESCRIPTION
20	290601	Top Panel
21	M0030803	Back Panel
22	M0031001R	Complete Door Assy
23	301308000	Hinge Assy
24	669073	Filter
25	669647	Filter Retainer
26	386321	Control Box Cover
27	386720	Control Box
28	626553	Main Limit Switch, 160 F
29	626552	Fan Limit Switch, 115 F
30	626465	Deck Limit Switch, 225 F
31	663734	Burner Flexible Hose (Not Shown)
32	606208	Hose Clamp (Not Shown)
33	103887000	Latch Assy
34	687013	Brand Label, Miller
35	687012	Brand Label, Intertherm
36	688982	Burner Gasket (Not Shown)
37	632482	Receptacle (Not Shown)
38	632125	Door Switch (Not Shown)
39	632337	ON/OFF Switch (Not Shown)



CMF2 Series Downflow Furnace - ND1001 (AF-10) Beckett Oil Burner For Power Oil Models

ITEM NO.	PART NO.	DESCRIPTION
1	621945	Motor, PSC, 21805U
2	660591	Mounting Box
3	624647	Primary Control (HW),7456U
4	621943	Transformer, 51771U
5	660914	Gasket Kit (Transformer)
6	660282	Housing
7	660592	Escutcheon Plate
8	660593	Locknut
9	660594	Oil Line Kit
10	622090	Fuel Pump, Clean Cut
10A	624648	Solenoid Valve Stem Kit, 21877U
11	660595	Street Elbow
12	660596	Coupling Kit
13	660928	Inlet Air Box Assembly
14	660915	Gasket Kit (Inlet Box)

ITEM NO.	PART NO.	DESCRIPTION
15	661127	Air Tube/Flange Assembly
16	660468	Burner Head (All Models)(F3 Head)
17	660059	Nozzel Adaptor
18	660917	Electrode Kit
19	660600	Gun Drawer Assembly
20	660048	Blower Wheel
21	634568	Power Cord
22	660606	Nozzel (0.50 GPH)
	660087	Nozzel (0.60 GPH)
	660605	Nozzel (0.65 GPH)
23	660602	Flame Detector (WR)
	660603	Flame Detector (HW)
24	660604	Burner Mounting Gasket (N/S)
25	904607	Complete Oil Burner - 75

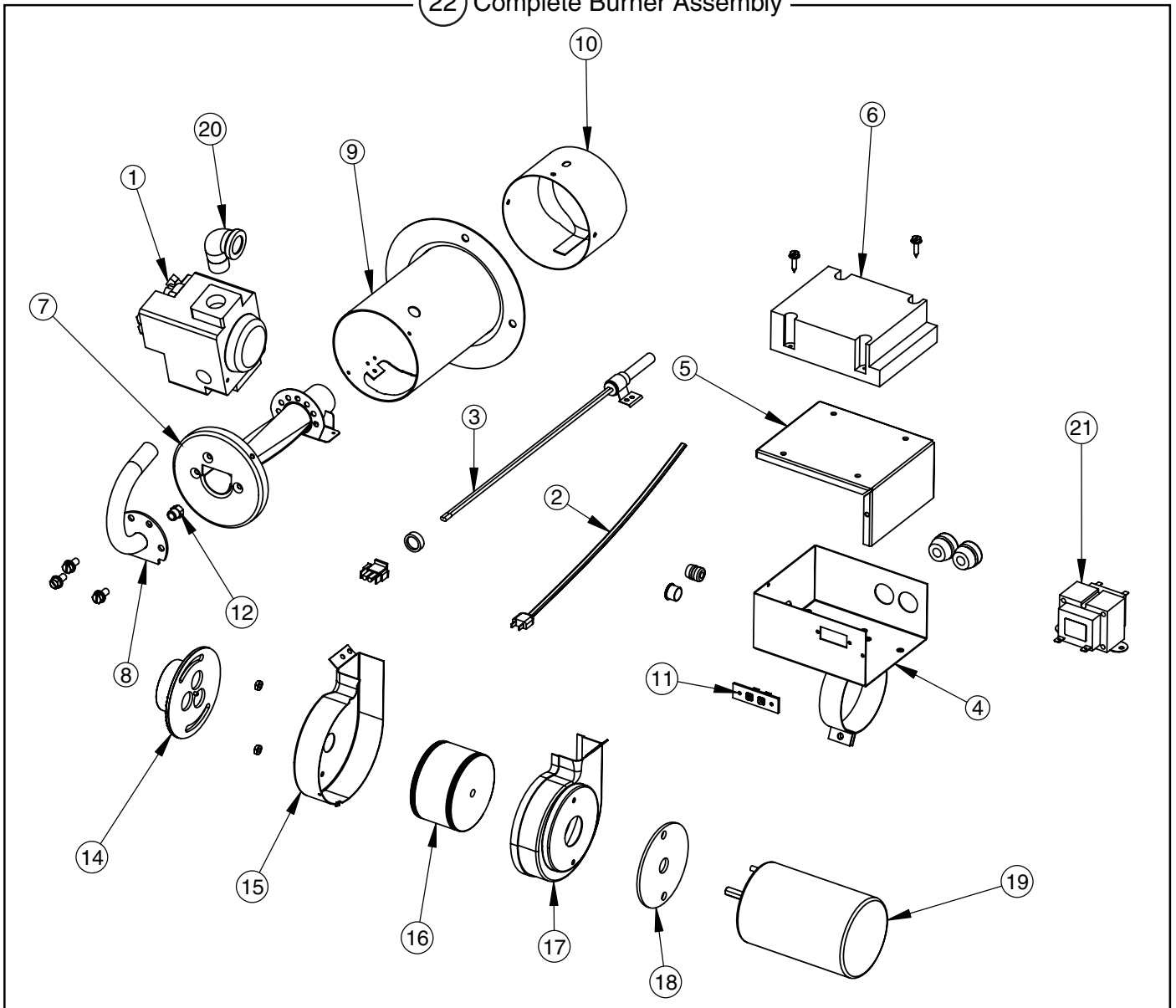


**CMF Series Downflow Furnance - Direct Ignition Gas Burners
For Power Gas Models**

ITEM NO.	PART NO.	DESCRIPTION
1	624619	Gas Valve
2	634568	Power Supply Cord
3	902661A	Ignitor
4	248180R	Electric Box Assembly
5	352930R	Electric Box Cover
6	626421	HSI Control
7	375090R	Venturi
8	258360R	Manifold Assy
9	264880R	Tube Assy
10	248750R	Air Cone Assy
11	632083	Terminal Board
12	661020	80 Burner Orifice, #20 (NAT)
	661040	80 Burner Orifice, #40 (LP)
	661024	65 Burner Orifice, #24 (NAT)

ITEM NO.	PART NO.	DESCRIPTION
12	661043	65 Burner Orifice, #43 (LP)
	661018	90 Burner Orifice, #18 (NAT)
	661037	90 Burner Orifice, #37 (LP)
13	689032R	Adapter Burner Gasket
14	356432	Inlet Air Box Assy-Gas Gun
15	265130	Blower Assy-Left
16	667185	Blower Wheel
17	352880R	Blower Assy-Right
18	689589	Motor Mounting Gasket
19	622065	Motor
20	662095	Street Elbow
21	621096	Transformer
22	903446	Complete Gas Burner

②② Complete Burner Assembly



ACCESSORIES

CMF Conversion Kits

PART NO.	DESCRIPTION
903099	CMF80PG 80 Kbtu/h to 65 Kbtu/h Conv. Kit
903100	CMF80PO 80 Kbtu/h to 65 Kbtu/h Conv. Kit
903101	CMF80PG 80 Kbtu/h to 100 Kbtu/h Conv. Kit
903102	CMF80PO 80 Kbtu/h to 100 Kbtu/h Conv. Kit

CMF Base Packages

PART NO.	DESCRIPTION
901696	CB-200A Cottage Base
903452	MA-200 Base Package with 3" feeder duct
903453	MA-200 Base Package with 8" feeder duct
903454	MA-200 Base Package with 13" feeder duct
903450	MA-100 Universal Base Package with 8" feeder duct
903451	MA-100 Universal Base Package with 13" feeder duct

Roofjacks

PART NO.	DESCRIPTION
104060000	SRJ1 Roof Jack Assembly
104060003	SRJ2 Roof Jack Assembly
104060015	SRJ3 Roof Jack Assembly
104060018	SRJ4 Roof Jack Assembly
104060024	SRJ5 Roof Jack Assembly

ORDERING INFORMATION

Please specify Model No. and Serial No. along with the exact part number(s) when ordering parts from the nearest authorized Dealer or Service Center.

Miscellaneous

PART NO.	DESCRIPTION
104142000	Protective Cap (for two piece roofjack assemblies)
902095	Automatic Shut Off Damper**
901855	New England Safety Kit
903456	Combustion Air Inlet Adapter Kit
903457	Sloped Roof Direct Vent Kit
903496	Combustion Air Pipe Extension Kit (for high snow accumulation areas)

**Required when home is air conditioned by a self-contained unit.

Adapters

PART NO.	DESCRIPTION
100447000	RA-S2.5 Roof Jack Assembly
100448000	RA-S3.0 Roof Jack Assembly
101561000	RA-S4.0 Roof Jack Assembly

Vent Pipes

PART NO.	DESCRIPTION
103947002	Vent Pipe-28
103947004	Vent Pipe-34
103947005	Vent Pipe-40
901697	Offset Vent Pipe

