

Field Replacement Furnace Vent Transition Kit, #904106

Installation Instructions

For M3RL Series Furnaces

IMPORTANT: Read these instructions and the M3RL Installation Instructions carefully before beginning the installation.

GENERAL

These instructions are primarily intended to assist qualified individuals experienced in the proper vent and combustion intake pipe installations of this appliance. This kit is to be used for field replacement of a non-condensing manufactured housing furnace with an M3RL series furnace. It may be used at elevations up to 8,000 feet above sea level. M3RL furnace series are condensing gas furnaces and must be vented with PVC or equivalent pipe to prevent vent corrosion. Using the replacement vent caps in this kit, you may easily install the vent and combustion air intake pipes for the new furnace utilizing an existing roof jack as a chase. Some local codes require licensed installation/service personnel for installation of this type of equipment.

Contents of Kit:

1. Installation Instructions for Field Replacement Furnace Venting.
2. 2- Replacement Vent Caps
3. 2- 2" Rubber Couplings
4. 4- 2" Diameter Clamps
5. 2- 90° SPIG X HUB Elbows
6. 6- #10 Sheet Metal Screws

WARNING!

The replacement furnace must be installed by a qualified service technician in accordance with these instructions and all codes having jurisdiction. Failure to follow these instructions could result in serious injury, property damage, or death. The qualified service technician performing this work assumes responsibility for this furnace installation.

INSTALLING THE KIT

- A. Verify structural integrity of the roof flashing and upper and lower combustion air pipes. NOTE: Do not use this kit with existing roof jacks that are not sound.**
- B. Replace the existing furnace with the new M3RL furnace. (See M3RL Installation Instructions)**

C. To Remove Unnecessary Parts from the Old Roof Jack: (see Figure 1)

1. Disassemble the top roof jack by unscrewing the screws and connecting it to the upper combustion air intake pipe.
2. Remove brackets from the combustion air intake upper pipe. The brackets are 1/8" pop riveted and must be removed by drilling them with a 1/8" drill bit.
3. Remove the inner and outer flue pipes (6" diameter) from the roof jack.

Note: Disassembly instructions may vary depending upon the age and design of the roof jack.

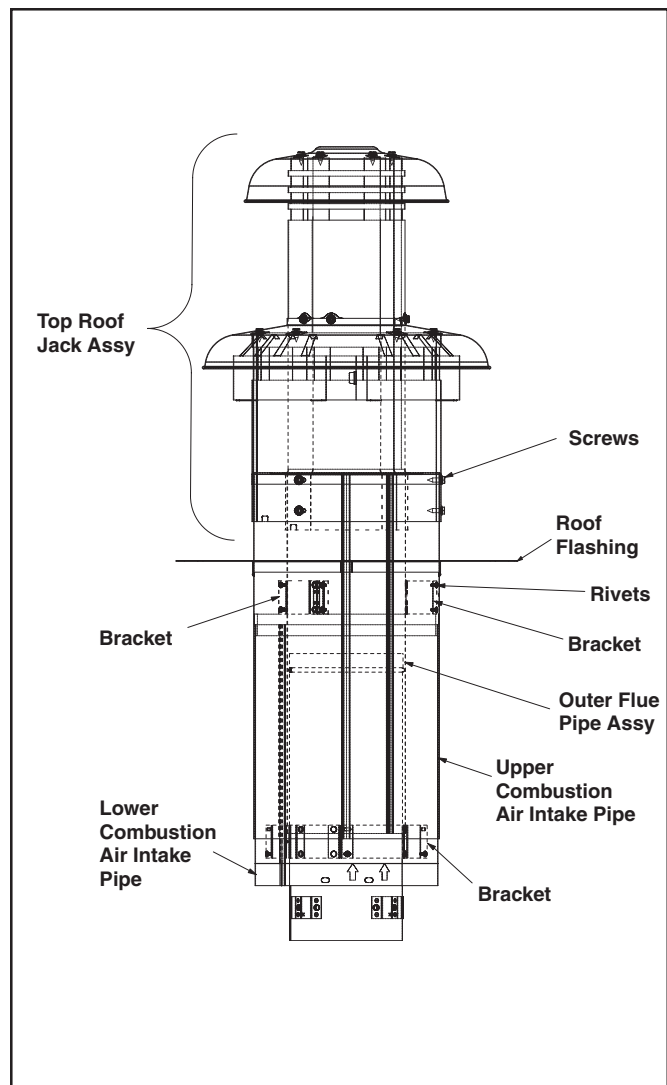


Figure 1. Typical Existing Roof Jack

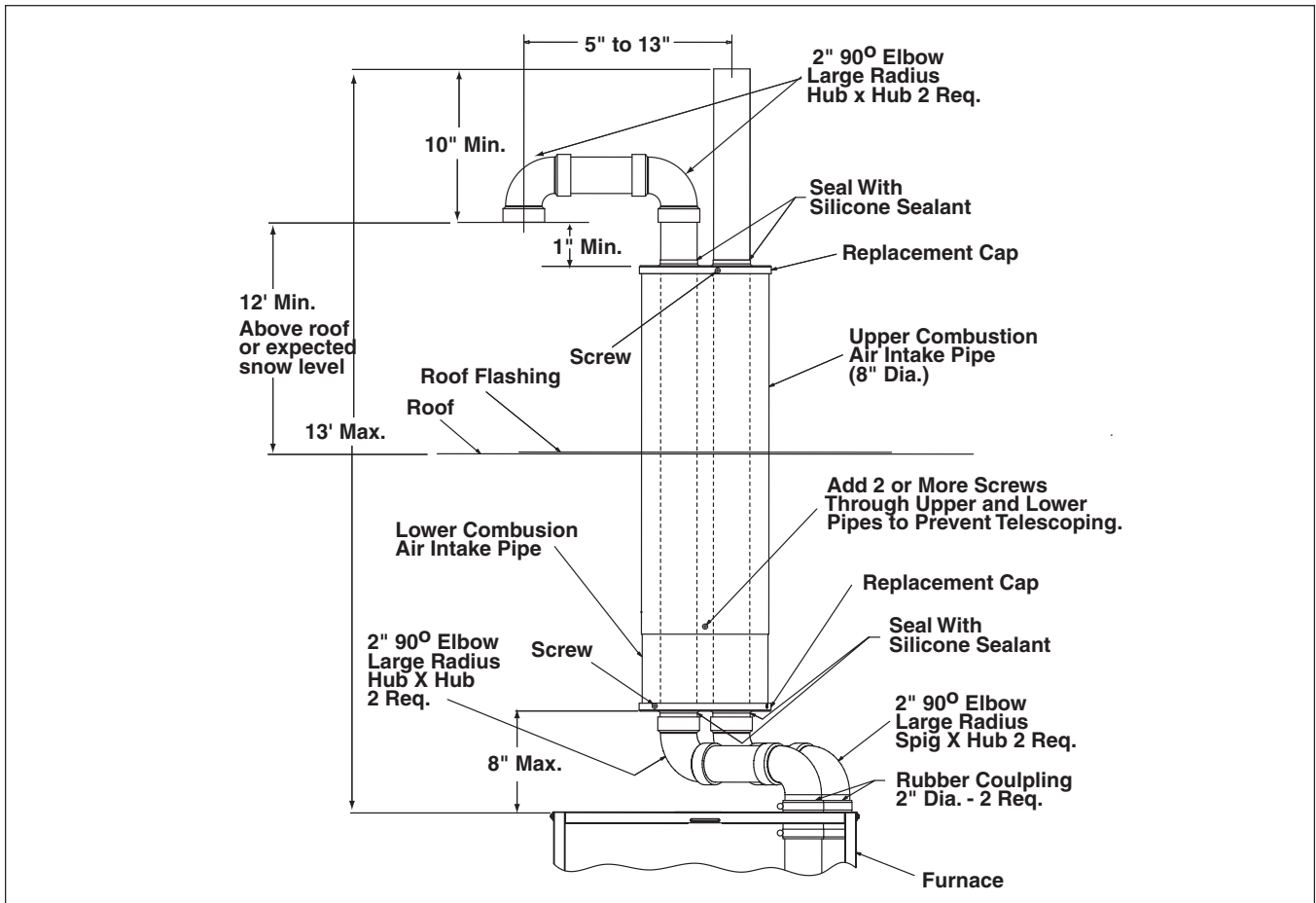


Figure 2. Vent and Combustion Air Intake Pipe Installation

D. To Install Vent and Combustion Air Intake Pipe (see M3RL Installation Instructions)

After the M3RL furnace is set in place:

1. Choose vent pipe material based on table 1.
2. Install 2" rubber couplings on the furnace pipes and assemble 90° SPIG x HUB elbow (large radius).

3. Place bottom and top replacement caps on the roof jack. DO NOT screw the caps down at this time
4. Cut 2" plastic pipes and route the vent and combustion air intake pipes through the replacement caps as shown in Figure 2.
Note: The maximum height from the top of the furnace to the top of the flue pipe must be no longer than 13 feet.
5. Join all the pipes and elbows using appropriate plastic solvent cement.
6. Screw the top and the bottom replacement caps to the outer pipes. Note: At least two screws must be used on each cap.
7. Tighten the upper hose clamps on the 2" rubber couplings.
8. Secure the combustion air intake pipe to the lower combustion air intake pipe at the bottom of the upper pipe using at least two screws.
9. Seal around the two pipes on the top and bottom replacement caps with silicone sealant.

Material	Standard
Schedule 40 PVC	D1785
PVC-DWV	D2665
SDR-21* & SDR-26*	D2241
ABS-DWV	D2661
Schedule 40 ABS	F628
Foam/Cellular Core PVC	F891

Table 1. Vent Pipe Material

