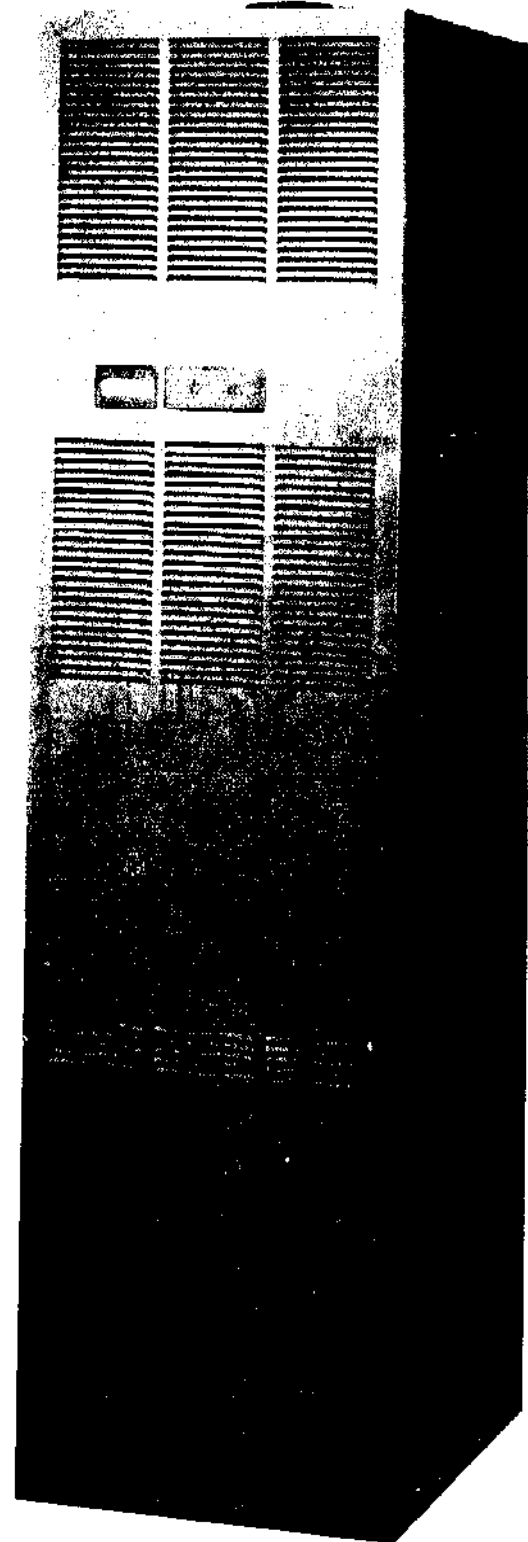


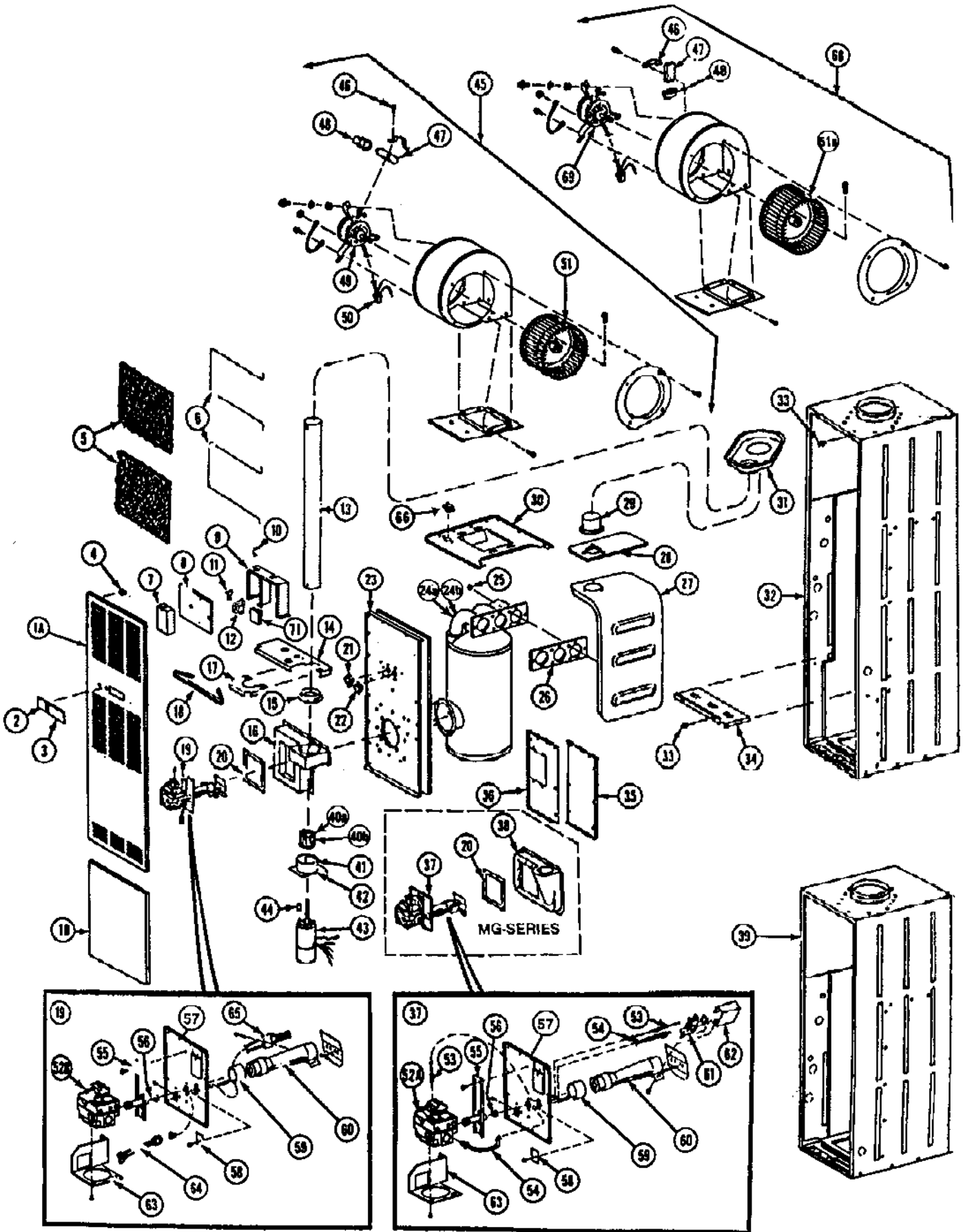
PARTNERS
HEATING & COOLING
REPLACEMENT PARTS **CHOICE™**

REPLACEMENT PARTS LIST

MG(-)A and MM(-)A Series



MG(-)A and MM(-)A Series Gas Furnace



MG(-)A and MM(-)A Series Gas Furnace Parts List

ITEM NO.	PART NO.	DESCRIPTION	MG(-)A MODELS							MM(-)A MODELS					
			-056	-066	-070	-075	-077	-090	-90PQ	-056	-066	-070	-075	-077	-090
1A	902004	Louvered Door (Includes 2-Door Latches)	1	1	1	1	1	1	1	1	1	1	1	1	1
1B	902005	Coil Door (B Model) (Includes 2-Door Latches)	1	1	1	1	1	1	1	1	1	1	1	1	1
2	687013	Name Plate (Miller)	1	1	1	1	1	1	1	1	1	1	1	1	1
	687012	Name Plate (Intertherm)	1	1	1	1	1	1	1	1	1	1	1	1	1
3	688772	Decorative Door Insert	1	1	1	1	1	1	1	1	1	1	1	1	1
4	668420	Door Latch (Two Required)	1	1	1	1	1	1	1	1	1	1	1	1	1
*5	668780	Air Filter	1	1	1	1	1	1	1	1	1	1	1	1	1
6	668788	Air Filter Retainer	1	1	1	1	1	1	1	1	1	1	1	1	1
7	626333	HSI Control	1	1	1	1	1	1	1	1	1	1	1	1	1
8	247400	Control Box Cover	1	1	1	1	1	1	1	1	1	1	1	1	1
9	355390	Control Box	1	1	1	1	1	1	1	1	1	1	1	1	1
*10	631947	SPDT Switch	1	1	1	1	1	1	1	1	1	1	1	1	1
11	631728	Cap Pin	1	1	1	1	1	1	1	1	1	1	1	1	1
*12	621094	Transformer (15 VA)	1	1	1	1	1	1	1	1	1	1	1	1	1
	621096	Transformer (20 VA)	1	1	1	1	1	1	1	1	1	1	1	1	1
13	356271	Fresh Air Pipe 4"	1	1	1	1	1	1	1	1	1	1	1	1	1
14	355500	Shelf Divider	1	1	1	1	1	1	1	1	1	1	1	1	1
15	246850	Collar	1	1	1	1	1	1	1	1	1	1	1	1	1
16	461120	Lower Air Box	1	1	1	1	1	1	1	1	1	1	1	1	1
17	247360	Close-Off Shelf Divider	1	1	1	1	1	1	1	1	1	1	1	1	1
18	688677	Tape, Foam	1	1	1	1	1	1	1	1	1	1	1	1	1
19	902006	Burner (HSV56-90,000) (Less Main Orifice)	1	1	1	1	1	1	1	1	1	1	1	1	1
20	689000	Valve Gasket	1	1	1	1	1	1	1	1	1	1	1	1	1
*21	626336	Limit 160°F Open/40°F Diff	1	1	1	1	1	1	1	1	1	1	1	1	1
	626341	Limit 155°F Open/40°F Diff	1	1	1	1	1	1	1	1	1	1	1	1	1
	626279	Limit 140°F Open/40°F Diff	1	1	1	1	1	1	1	1	1	1	1	1	1
*22	626337	Fan 1 1/2" F Close/30" Diff	1	1	1	1	1	1	1	1	1	1	1	1	1
23	458230	Front Air Casing	1	1	1	1	1	1	1	1	1	1	1	1	1
*24	902032	Includes 2 Pipe Heat Exchanger Assembly 464760 Plus Item 26 Gasket	1	1	1	1	1	1	1	1	1	1	1	1	1
24A	902033	Includes 3 Pipe Heat Exchanger Assembly 465020 Plus Item 26 Gasket	1	1	1	1	1	1	1	1	1	1	1	1	1
24B	902034	Includes 3 Pipe Heat Exchanger Assembly 464770 Plus Item 26 Gasket	1	1	1	1	1	1	1	1	1	1	1	1	1
25	606005	1/4 - 20 Nut*	1	1	1	1	1	1	1	1	1	1	1	1	1
26	689050	Radiator Plate Gasket	1	1	1	1	1	1	1	1	1	1	1	1	1
27	902036	Includes Radiator Assembly 464830 Plus Items 28, 29, and 26	1	1	1	1	1	1	1	1	1	1	1	1	1
28	689012	Heat Exchanger Insulation	1	1	1	1	1	1	1	1	1	1	1	1	1
29	355070	Upper Flue Pipe	1	1	1	1	1	1	1	1	1	1	1	1	1
30	452570	Top Air Casing	1	1	1	1	1	1	1	1	1	1	1	1	1
31	458740	Upper Air Box	1	1	1	1	1	1	1	1	1	1	1	1	1
32	458370	Cabinet (B Models)	1	1	1	1	1	1	1	1	1	1	1	1	1
33	668905	Door Strike (Two Required)	1	1	1	1	1	1	1	1	1	1	1	1	1
34	355050	Shelf (B Models)	1	1	1	1	1	1	1	1	1	1	1	1	1
35	355490	Right Coil Close-Off (B Models)	1	1	1	1	1	1	1	1	1	1	1	1	1
36	355480	Left Coil Close-Off (B Models)	1	1	1	1	1	1	1	1	1	1	1	1	1
37	902007	Burner (56,000; 90,000) Less Main Orifice	1	1	1	1	1	1	1	1	1	1	1	1	1
38	458750	Lower Air Box	1	1	1	1	1	1	1	1	1	1	1	1	1
39	458360	Cabinet Assembly (A Model)	1	1	1	1	1	1	1	1	1	1	1	1	1
*40A	667186	Wheel, Combustion	1	1	1	1	1	1	1	1	1	1	1	1	1
*40B	667187	Wheel, Combustion	1	1	1	1	1	1	1	1	1	1	1	1	1
41	355510	Scroll	1	1	1	1	1	1	1	1	1	1	1	1	1
42	355660	Mounting Plate	1	1	1	1	1	1	1	1	1	1	1	1	1
43	621080	Motor, Combustion	1	1	1	1	1	1	1	1	1	1	1	1	1
44	668785	Grommet	1	1	1	1	1	1	1	1	1	1	1	1	1
45	902008	Blower Assembly (56,000)	1	1	1	1	1	1	1	1	1	1	1	1	1
	902009	Blower Assembly (66,000)	1	1	1	1	1	1	1	1	1	1	1	1	1
	902010	Blower Assembly (70,000; 75,000)	1	1	1	1	1	1	1	1	1	1	1	1	1
	902011	Blower Assembly (77,000; 90,000)	1	1	1	1	1	1	1	1	1	1	1	1	1
46	118380	Capacitor Strap	1	1	1	1	1	1	1	1	1	1	1	1	1
47	620233	Capacitor 10 MFD 370V	1	1	1	1	1	1	1	1	1	1	1	1	1
48	631330	Capacitor Boot	1	1	1	1	1	1	1	1	1	1	1	1	1
*49	902042	Motor 1/5 HP	1	1	1	1	1	1	1	1	1	1	1	1	1
	901873	Motor 1/5 HP	1	1	1	1	1	1	1	1	1	1	1	1	1
	901874	Motor 1/4 HP	1	1	1	1	1	1	1	1	1	1	1	1	1
50	631724	Circuit Plug	1	1	1	1	1	1	1	1	1	1	1	1	1
*51	667149	Blower Wheel 9x7	1	1	1	1	1	1	1	1	1	1	1	1	1
*51A	667037	Blower Wheel 10x8	1	1	1	1	1	1	1	1	1	1	1	1	1
*52A	624491	Gas Valve	1	1	1	1	1	1	1	1	1	1	1	1	1
*52B	624490	Gas Valve (HSI)	1	1	1	1	1	1	1	1	1	1	1	1	1
*53	631132	Thermocouple	1	1	1	1	1	1	1	1	1	1	1	1	1
54	247620	Pilot Tube	1	1	1	1	1	1	1	1	1	1	1	1	1
55	247690	Spud Plate	1	1	1	1	1	1	1	1	1	1	1	1	1
*56	660615	Natural Gas Orifice (56,000) Drill #29	1	1	1	1	1	1	1	1	1	1	1	1	1
	660580	Natural Gas Orifice (66,000) Drill #26	1	1	1	1	1	1	1	1	1	1	1	1	1
	660800	Natural Gas Orifice (70,000) Drill #23	1	1	1	1	1	1	1	1	1	1	1	1	1
	660581	Natural Gas Orifice (75,000) Drill #22	1	1	1	1	1	1	1	1	1	1	1	1	1
	660816	Natural Gas Orifice (77,000) Drill #20	1	1	1	1	1	1	1	1	1	1	1	1	1

2758
2760

MG(-)A and MM(-)A Series Gas Furnace Parts List

ITEM NO.	PART NO.	DESCRIPTION	MG(-)A MODELS						MM(-)A MODELS						
			-056	-066	-070	-075	-077	-090	-90PO	-056	-066	-070	-075	-077	-090
*56	660582	Natural Gas Orifice (90,000) Drill #17							1	1					1
	660583	LPG Orifice (56,000) (Not Shown) Drill #45	1								1				
	660584	LPG Orifice (66,000) (Not Shown) Drill #43		1								1			
	660799	LPG Orifice (70,000) (Not Shown) Drill #42			1								1		
	660585	LPG Orifice (75,000) (Not Shown) Drill #41				1								1	
	660817	LPG Orifice (77,000) (Not Shown) Drill #40						1							1
	660586	LPG Orifice (90,000) (Not shown) Drill #31							1	1					1
57	247850	Burner Plate	1	1	1	1	1	1	1	1	1	1	1	1	1
58	247640	Tube Cover	1	1	1	1	1	1	1	1	1	1	1	1	1
59	247880	Air Shutter	1	1	1	1	1	1	1	1	1	1	1	1	1
60	358140	Venturi	1	1	1	1	1	1	1	1	1	1	1	1	1
61	660575	Pilot Burner	1	1	1	1	1	1	1	1					
62	247630	Pilot Shield	1	1	1	1	1	1	1	1					
63	247810	Valve Support	1	1	1	1	1	1	1	1					1
64	250030	Ignitor Pin Plug									1	1	1	1	1
*65	632088	Ignitor <i>See below</i>									1	1	1	1	1
66	626340	Limit 140° Open/Manual Re-set	1	1	1	1	1	1	1	1	1	1	1	1	1
67	618020	Pilot Lighter Rod (Not Shown)	1	1	1	1	1	1	1	1					
68	901998	Complete Blower, 1.5-3.5 Ton Cooling, Multi-Sp. Includes Items 46, 47, 48, 69, 51A	1	1	1	1	1	1	1	1	1	1	1	1	1
69	901875	Motor - 1/3 HP	1	1	1	1	1	1	1	1	1	1	1	1	1
70	901997	Piezo Ignitor Kit (Optional, Not Shown)	1	1	1	1	1	1	1	1					
*71	620689	Relay								1					

* - Part should be stocked by distributor

901999 Blower ASSY MIC

912791 Motor For 901999

#65 902499 Flat Ignitor
902661 Round Ignitor

7067093 (Replaces 7067092 0391)

Specifications and illustrations subject to change
without notice and without incurring obligations.
Printed in U.S.A. (11/92)