

HEAT PUMPS



RPPB- SERIES

Seven Models

14 SEER with efficiencies ranging up to 14.40 SEER in certain matched systems. Nominal Sizes 1½ to 5 Tons [5.28 kW] to [17.58 kW]

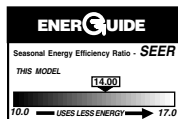


The Rheem® RPPB- Classic Series® Heat Pump Outdoor units can provide year-round heating and cooling comfort for residential, multi-family and light commercial applications. They are designed to operate with Rheem indoor units with cooling and heating capacities certified under the ARI Certification program.

The Rheem RBHK- Air Handler equipped with auxiliary heating elements for supplementary heat was designed especially for use with the RPPB- Heat Pump. Together they provide systems capable of delivering a maximum HSPF (Heating Seasonal Performance Factor) of 8.90 in the heating mode or a maximum standard S.E.E.R. (Seasonal Energy Efficiency Ratio) of 14.40 in the cooling mode.

The following additional features, plus its energy-saving characteristics, make the RPPB- Heat Pump outdoor unit an excellent choice for new construction or upgrading your present system.

- Attractive, louvered wrap around jacket protects coil from weather extremes and yard hazards. Top grille is steel reinforced for extra strength. Cabinet is powder painted for all weather protection.
- Four sided outdoor coil design allows compressor operation with access panel removed.
- Air is discharged upward away from bushes and shrubs. The discharge pattern of the top grille provides minimum air restriction, resulting in quiet fan operation.
- Exclusive Combination Grille/Motor Mount secures the fan motor to the underside of the discharge grille. The grille protects the motor windings and bearings from rain and snow.
- All controls are accessible by removing one service panel. Removable top grille provides access to the outdoor fan motor and outdoor coil.
- Compressor compartment offers additional protection from the elements and reduces operating noise.
- Single speed, 8-pole fan motor is designed for low speed, quieter, energy-saving operation.
- Non-cycling reversing valve.
- All models meet or exceed a 1000-hour salt spray test per ASTM B117 Standard Practice for Operating Salt Spray Testing Apparatus.



**CERTIFIED UNDER THE
A.R.I. CERTIFICATION
PROGRAM—A.R.I. STANDARD 240-81*

Engineering Features

RPPB- Series Heat Pump Outdoor Unit

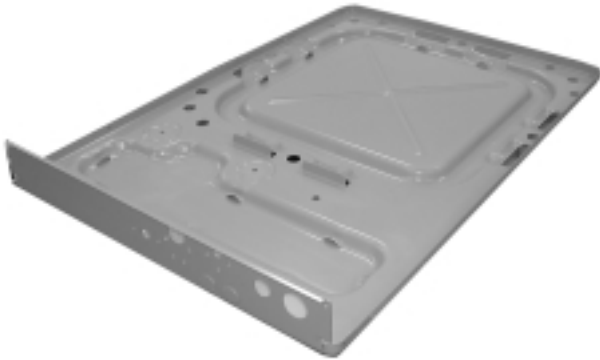
1. **Scroll compressor** is hermetically sealed and incorporates internal high temperature motor overload protection, and durable insulation on the motor windings. It is externally mounted on rubber grommets to reduce vibration and noise.
2. **Copper Tube/Aluminum Fin Coils**—Both indoor and outdoor coils.
3. **Strong, Attractive Cabinet**—Constructed of powder painted steel. Louvered design protects the coil from damage.
4. **Internal Check Valve**—Provides for more quiet refrigerant metering.
5. **Manual Reset High Pressure Control**—Deactivates system if abnormally high pressure occurs.
6. **Drawn, Painted Base Pan**—For extra corrosion resistance and sound reduction.
7. **Hard Start Components**—Offer additional starting torque to cover a wide range of voltage and pressure variations.
8. **Non-Cycling Reversing Valve**—Eliminates discharge noises on each heating cycle.
9. **Hot Gas Muffler**—Reduces noise in heating cycle.
10. **Suction Line Accumulator**—Provides protection for the compressor.
11. **Bi-Directional Filter Drier**—Provided on all models.
12. **Service valves** are standard on all models.
13. **Refrigerant Metering**—TX valves accurately meter refrigerant into indoor and outdoor coils.
14. **Demand Defrost**—Provides complete defrost when defrost is required.

Convenience Features

- **The scroll compressor models, additionally have a 10 year compressor warranty as standard.**
- All refrigerant connections are on the exterior of the unit, located close to the ground for neat appearing installations.
- Coil design permits compressor operation with the access panel removed.
- Control box is fully accessible in the upper part of the cabinet, just under the access panel.
- Power and control wiring are kept separate.
- Every unit is factory charged and tested.



All controls and compressor are accessible for servicing by removal of the service panel.



Drawn Painted Base Pan.

Accessories

- **Low Ambient Control**—Allows low temperature operation in the cooling cycle down to 0°F [-17.8°C] outdoor temperature. It is recommended that this control be installed in units to be operated for cooling at outdoor ambient temperatures under 65°F [18°C]. (Model No. RXPZ-C01)
- **Outdoor Thermostats**—
 - RXPT-A01—One outdoor thermostat in box.
 - RXPT-A02—One outdoor thermostat for mounting in box for use with RXPT-A01 or A03.
 - RXPT-A03—One outdoor thermostat with emergency Heat Relay wired and mounted in box.
 - RXPT-A04—Tne outdoor thermostats with emergency Heat Relay wired and mounted in box.
- **Heat Pump Monitor**—Indicates inefficient operation or malfunction of heat pump. (Model No. RXPM-B01)
- **Thermostats and Subbases**—Available through the PROSTOCK® Department.
- **Compressor Time Delay Control**—Compressor will remain off for five minutes after power or thermostat interruption, allowing system pressures to equalize. Starting during high pressure conditions can result in shortened compressor life. (Model No. RXMD-B01)
- **Blower Time Delay Control**—RXMD-C02.
- **Fossil Fuel Kits**—RXPF-01
RXPF-02

Model Number Identification

<u>R</u>	<u>P</u>	<u>P</u>	<u>B</u>	—	<u>024</u>	<u>J</u>	<u>A</u>	<u>Z</u>
RHEEM	REMOTE HEAT PUMP	HIGH EFFICIENCY (STANDARD)	DESIGN SERIES B = SECOND DESIGN		COOLING CAPACITY	ELECTRICAL DESIGNATION J = 208/230V-1-60	VARIATIONS A = STANDARD	COOLING CONNECTION FITTING Z = SWEAT W/SCROLL
					018 = 18,000 BTU/HR [5.28 kW] 024 = 24,000 BTU/HR [7.03 kW] 030 = 30,000 BTU/HR [8.79 kW] 036 = 36,000 BTU/HR [10.55 kW] 042 = 42,000 BTU/HR [12.31 kW] 048 = 48,000 BTU/HR [14.07 kW] 049 = 48,000 BTU/HR [14.07 kW] 060 = 60,000 BTU/HR [17.58 kW] 061 = 60,000 BTU/HR [17.58 kW]			

[] Designates Metric Conversions

Rheem Heat Pump System

For all season home comfort, performance and energy conservation, choose a Rheem RPPB- Series Heat Pump and RBHK- Series Air Handler.

More than a reverse cycle air conditioner, it's a specially designed combination Winter/Summer comfort system using a single indoor coil for heating and cooling.

To choose an RBHK- Air Handler designed for use with the RPPB- Heat Pump, refer to the Performance Data Tables and/or the air handler specification sheet.

COPELAND® SCROLL® COMPRESSOR

The Copeland scroll compressor is the key to efficiency for this Rheem model. It's the latest in high-efficiency compressor technology. The advanced scroll compressor offers low noise and vibration characteristics and features tolerance to liquid refrigerant and system contamination. The Copeland Scroll also has low start torque, eliminating start problems in the field. And its unique design enables the RPPB- heat pump to perform efficiently, quietly and reliably.



Performance Data ARI Standard Conditions—Single Phase (Scroll Compressor)

Note: Only these combinations of indoor/outdoor units are approved and any other combinations should not be used.

Model Numbers		ARI Cooling Performance						ARI Heating Performance (70°F [21°C] Indoor)				
		80°F [26.5°C] DB/67°F [19.5°C] WB Indoor Air 95°F [35°C] DB Outdoor Air						Outdoor Air 47°F [8.5°C] DB/ 43°F [6°C] WB DOE High Temp.		Outdoor Air 17°F [-8.5°C] DB/ 15°F [-9.5°C] WB DOE Low Temp.		DOE Region IV HSPF
Outdoor Unit RPPB-	Indoor Coil and/or Air Handler	Total Capacity BTU/H [kW]	Net Sens. BTU/H [kW]	Net Latent BTU/H [kW]	EER	SEER	Indoor CFM [L/s]	BTU/H [kW]	COP	BTU/H [kW]	COP	
018JAZ	RCHJ-24A1	18,300 [5.4]	12,750 [3.7]	5,750 [1.7]	10.65	12.10	600 [283]	18,700 [5.5]	3.20	12,100 [3.5]	2.30	8.10
	RCHJ-24A1+RXMD-C02	18,300 [5.4]	12,600 [3.7]	5,700 [1.7]	10.65	12.20	600 [283]	18,700 [5.5]	3.20	12,100 [3.5]	2.30	8.20
	RCHJ-24A1 (RBHK-17) ①	18,800 [5.5]	13,150 [3.9]	5,750 [1.7]	12.15	14.00	600 [283]	18,100 [5.3]	3.44	11,500 [3.4]	2.46	8.55
	RCHJ-24A1 (RGFD-06?MCK?)	18,800 [5.5]	13,450 [3.9]	5,950 [1.7]	12.45	14.10	600 [283]	18,100 [5.3]	3.46	11,400 [3.3]	2.44	8.55
	RCHJ-24A1 (RGFD-07?MCK?)	18,800 [5.5]	13,450 [3.9]	5,950 [1.7]	12.50	14.10	600 [283]	18,100 [5.3]	3.47	11,400 [3.3]	2.44	8.55
	RCHJ-24A1 (RGGD-06?MCK?)	18,800 [5.5]	13,500 [4.0]	5,900 [1.7]	12.65	14.10	600 [283]	18,100 [5.3]	3.49	11,300 [3.3]	2.45	8.55
	RCHJ-24A1 (RGLL-05?BMK?)	18,800 [5.5]	13,100 [3.8]	5,700 [1.7]	12.10	13.90	600 [283]	18,200 [5.3]	3.44	11,500 [3.4]	2.44	8.55
	RCHJ-24A1 (RGLL-07?BRK?)	18,800 [5.5]	13,100 [3.8]	5,700 [1.7]	12.10	13.95	600 [283]	18,200 [5.3]	3.44	11,500 [3.4]	2.44	8.55
	RCHJ-24A1 (RGPL-05?BMK?)	18,800 [5.5]	13,450 [3.9]	5,850 [1.7]	12.15	14.00	600 [283]	18,100 [5.3]	3.44	11,500 [3.4]	2.46	8.55
	RCHJ-24A1 (RGPL-07?BRK?)	18,800 [5.5]	13,500 [4.0]	5,900 [1.7]	12.25	14.10	600 [283]	18,100 [5.3]	3.46	11,500 [3.4]	2.46	8.55
024JAZ	RCHJ-24A2	22,200 [6.5]	16,100 [4.7]	6,700 [2.0]	10.75	12.40	800 [378]	23,200 [6.8]	3.24	14,600 [4.3]	2.18	7.55
	RCHJ-24A2+RXMD-C02	22,200 [6.5]	15,700 [4.6]	6,500 [1.9]	10.75	12.50	800 [378]	23,200 [6.8]	3.24	14,600 [4.3]	2.18	7.65
	RCHJ-24A2 (RBHK-17) ①	23,000 [6.7]	16,700 [4.9]	6,700 [2.0]	12.10	14.15	800 [378]	22,600 [6.6]	3.46	14,000 [4.1]	2.32	7.90
	RCHJ-24A2 (RGFD-06?MCK?)	23,000 [6.7]	16,900 [5.0]	6,700 [2.0]	12.00	14.00	800 [378]	22,600 [6.6]	3.40	14,100 [4.1]	2.33	8.00
	RCHJ-24A2 (RGFD-07?MCK?)	23,200 [6.8]	16,950 [5.0]	6,850 [2.0]	12.10	14.15	800 [378]	22,600 [6.6]	3.42	14,100 [4.1]	2.34	8.00
	RCHJ-24A2 (RGGD-06?MCK?)	23,200 [6.8]	17,000 [5.0]	6,800 [2.0]	12.25	14.35	800 [378]	22,600 [6.6]	3.45	14,000 [4.1]	2.36	8.00
	RCHJ-24A2 (RGGD-07?MCK?)	23,200 [6.8]	16,950 [5.0]	6,850 [2.0]	12.15	14.25	800 [378]	22,600 [6.6]	3.43	14,000 [4.1]	2.35	8.00
	RCHJ-24A2 (RGLL-05?BMK?)	23,000 [6.7]	16,400 [4.8]	6,600 [1.9]	12.30	14.35	800 [378]	22,400 [6.6]	3.48	13,900 [4.1]	2.32	7.95
	RCHJ-24A2 (RGLL-07?BRK?)	23,000 [6.7]	16,400 [4.8]	6,600 [1.9]	12.30	14.35	800 [378]	22,400 [6.6]	3.48	13,900 [4.1]	2.32	7.95
	RCHJ-24A2 (RGPL-05?BMK?)	23,000 [6.7]	16,800 [4.9]	6,800 [2.0]	12.15	14.20	800 [378]	22,600 [6.6]	3.46	14,000 [4.1]	2.32	7.95
	RCHJ-24A2 (RGPL-07?BRK?)	23,000 [6.7]	17,000 [5.0]	6,800 [2.0]	12.30	14.35	800 [378]	22,400 [6.6]	3.48	13,900 [4.1]	2.34	7.95
030JAZ	RCHJ-36A1	26,600 [7.8]	21,250 [6.2]	6,950 [2.0]	10.80	12.00	975 [460]	28,400 [8.3]	3.30	17,600 [5.2]	2.26	8.10
	RCHJ-36A1+RXMD-C02	26,600 [7.8]	19,600 [5.7]	7,000 [2.1]	10.80	12.10	995 [470]	28,400 [8.3]	3.30	17,600 [5.2]	2.26	8.40
	RCHJ-36A1 (RBHK-21) ①	28,000 [8.2]	22,050 [6.5]	6,950 [2.0]	12.10	14.00	1,000 [472]	27,800 [8.1]	3.46	17,300 [5.1]	2.36	8.50
	RCHJ-36A1 (RGFD-06?MCK?)	28,000 [8.2]	21,700 [6.4]	6,900 [2.0]	11.60	13.65	1,000 [472]	28,000 [8.2]	3.42	17,600 [5.2]	2.32	8.10
	RCHJ-36A1 (RGFD-07?MCK?)	28,000 [8.2]	21,800 [6.4]	6,800 [2.0]	11.85	14.00	1,000 [472]	28,000 [8.2]	3.45	17,500 [5.1]	2.34	8.40
	RCHJ-36A1 (RGGD-06?MCK?)	28,000 [8.2]	21,850 [6.4]	6,950 [2.0]	11.95	14.00	1,000 [472]	28,000 [8.2]	3.47	17,400 [5.1]	2.36	8.50
	RCHJ-36A1 (RGGD-07?MCK?)	28,000 [8.2]	21,800 [6.4]	7,000 [2.1]	11.90	14.00	1,025 [484]	28,000 [8.2]	3.46	17,400 [5.1]	2.35	8.50
	RCHJ-36A1 (RGLL-05?BMK?)	28,000 [8.2]	21,200 [6.2]	6,800 [2.0]	12.05	13.90	1,000 [472]	28,000 [8.2]	3.46	17,400 [5.1]	2.36	8.50

① Highest sales volume tested combination required by DOE test procedures.

[] Designates Metric Conversions

Performance Data ARI Standard Conditions—Single Phase (Scroll Compressor) (cont.)

Note: Only these combinations of indoor/outdoor units are approved and any other combinations should not be used.

Model Numbers		ARI Cooling Performance						ARI Heating Performance (70°F [21°C] Indoor)				
		80°F [26.5°C] DB/67°F [19.5°C] WB Indoor Air 95°F [35°C] DB Outdoor Air						Outdoor Air 47°F [8.5°C] DB/ 43°F [6°C] WB DOE High Temp.		Outdoor Air 17°F [-8.5°C] DB/ 15°F [-9.5°C] WB DOE Low Temp.		DOE Region IV HSPF
Outdoor Unit RPPB-	Indoor Coil and/or Air Handler	Total Capacity BTU/H [kW]	Net Sens. BTU/H [kW]	Net Latent BTU/H [kW]	EER	SEER	Indoor CFM [L/s]	BTU/H [kW]	COP	BTU/H [kW]	COP	
								030JAZ	RCHJ-36A1 (RGLL-07?BRK?)	28,000 [8.2]	21,200 [6.2]	6,800 [2.0]
RCHJ-36A1 (RGLL-07?BRQ?)	27,600 [8.1]	20,800 [6.1]	6,800 [2.0]	11.55	13.25	1,000 [472]	28,200 [8.3]		3.38	17,600 [5.2]	2.32	8.35
RCHJ-36A1 (RGPL-05?BMK?)	27,800 [8.1]	21,800 [6.4]	6,800 [2.0]	11.90	14.00	1,000 [472]	28,000 [8.2]		3.42	17,500 [5.1]	2.34	8.45
RCHJ-36A1 (RGPL-07?BRK?)	28,000 [8.2]	21,900 [6.4]	6,900 [2.0]	12.10	14.10	1,000 [472]	28,000 [8.2]		3.46	17,300 [5.1]	2.36	8.50
RCHJ-36A1 (RGPL-07?BRQ?)	27,800 [8.1]	22,050 [6.5]	6,950 [2.0]	11.90	14.40	1,000 [472]	28,000 [8.2]		3.44	17,400 [5.1]	2.34	8.50
036JAZ	RCHJ-36A2	33,800 [9.9]	24,600 [7.2]	10,000 [2.9]	10.90	12.00	1,200 [566]	35,400 [10.4]	3.40	22,200 [6.5]	2.40	8.40
	RCHJ-36A2+RXMD-C02	33,800 [9.9]	23,800 [7.0]	10,000 [2.9]	10.90	12.10	1,200 [566]	35,400 [10.4]	3.40	22,200 [6.5]	2.40	8.50
	RCHJ-36A2 (RBHK-21) ①	34,600 [10.1]	25,200 [7.4]	10,000 [2.9]	12.00	14.00	1,200 [566]	35,800 [10.5]	3.58	22,200 [6.5]	2.46	8.90
	RCHJ-36A2 (RGFD-06?MCK?)	34,800 [10.2]	24,850 [7.3]	9,950 [2.9]	11.20	13.00	1,175 [554]	36,000 [10.5]	3.47	22,800 [6.7]	2.39	8.95
	RCHJ-36A2 (RGFD-07?MCK?)	34,600 [10.1]	24,800 [7.3]	9,800 [2.9]	11.15	12.95	1,200 [566]	36,000 [10.5]	3.46	22,800 [6.7]	2.38	8.95
	RCHJ-36A2 (RGFD-09?ZCM?)	35,000 [10.3]	25,050 [7.3]	9,950 [2.9]	12.00	14.00	1,150 [543]	36,000 [10.5]	3.62	22,200 [6.5]	2.48	9.30
	RCHJ-36A2 (RGFD-10?ZCM?)	35,200 [10.3]	25,200 [7.4]	10,000 [2.9]	11.90	13.90	1,175 [554]	36,000 [10.5]	3.59	22,200 [6.5]	2.46	9.20
	RCHJ-36A2 (RGFD-12?ZCM?)	35,200 [10.3]	25,250 [7.4]	9,950 [2.9]	12.00	14.00	1,225 [578]	36,000 [10.5]	3.60	22,200 [6.5]	2.47	9.25
	RCHJ-36A2 (RGGD-06?MCK?)	34,800 [10.2]	24,900 [7.3]	9,900 [2.9]	11.35	13.20	1,225 [578]	36,000 [10.5]	3.50	22,600 [6.6]	2.40	9.00
	RCHJ-36A2 (RGGD-07?MCK?)	34,800 [10.2]	24,850 [7.3]	9,950 [2.9]	11.25	13.05	1,225 [578]	36,000 [10.5]	3.48	22,600 [6.6]	2.39	8.95
	RCHJ-36A2 (RGGD-09?ZCM?)	35,200 [10.3]	25,250 [7.4]	9,950 [2.9]	12.05	14.10	1,175 [554]	36,000 [10.5]	3.61	22,200 [6.5]	2.48	9.00
	RCHJ-36A2 (RGGD-10?ZCM?)	35,200 [10.3]	25,250 [7.4]	9,950 [2.9]	12.05	14.10	1,175 [554]	36,000 [10.5]	3.61	22,200 [6.5]	2.48	9.00
	RCHJ-36A2 (RGGD-12?RCM?)	35,400 [10.4]	25,300 [7.4]	10,100 [3.0]	12.15	14.20	1,225 [578]	36,000 [10.5]	3.63	22,200 [6.5]	2.49	9.00
	RCHJ-36A2 (RGLL-05?BMK?)	34,400 [10.1]	24,600 [7.2]	9,800 [2.9]	11.90	13.95	1,200 [566]	35,800 [10.5]	3.58	22,200 [6.5]	2.46	8.85
	RCHJ-36A2 (RGLL-07?BRK?)	34,400 [10.1]	24,600 [7.2]	9,800 [2.9]	11.90	13.95	1,200 [566]	35,800 [10.5]	3.58	22,200 [6.5]	2.46	8.85
	RCHJ-36A2 (RGLL-07?BRQ?)	34,000 [10.0]	24,200 [7.1]	9,800 [2.9]	11.30	13.15	1,200 [566]	36,400 [10.7]	3.48	22,600 [6.6]	2.40	8.65
	RCHJ-36A2 (RGLL-10?BRM?)	34,400 [10.1]	24,600 [7.2]	9,800 [2.9]	11.90	13.90	1,200 [566]	36,000 [10.5]	3.58	22,200 [6.5]	2.46	8.85
	RCHJ-36A2 (RGLL-12?ARM?)	34,400 [10.1]	24,600 [7.2]	9,800 [2.9]	11.80	13.75	1,200 [566]	36,000 [10.5]	3.56	22,400 [6.6]	2.44	8.80
	RCHJ-36A2 (RGPL-05?BMK?)	34,400 [10.1]	24,900 [7.3]	9,900 [2.9]	11.30	13.10	1,200 [566]	36,000 [10.5]	3.48	22,400 [6.6]	2.39	8.80
	RCHJ-36A2 (RGPL-07?BRK?)	34,600 [10.1]	25,100 [7.4]	9,900 [2.9]	11.75	13.70	1,200 [566]	35,800 [10.5]	3.56	22,200 [6.5]	2.44	8.90
RCHJ-36A2 (RGPL-07?BRQ?)	34,200 [10.0]	25,350 [7.4]	10,050 [2.9]	11.65	14.00	1,200 [566]	36,000 [10.5]	3.54	22,400 [6.6]	2.44	8.90	
RCHJ-36A2 (RGPL-10?BRM?)	34,400 [10.1]	25,250 [7.4]	9,950 [2.9]	11.70	14.00	1,200 [566]	36,000 [10.5]	3.54	22,400 [6.6]	2.44	8.90	
RCHJ-36A2 (RGPL-12?ARM?)	34,600 [10.1]	25,450 [7.5]	10,150 [3.0]	12.05	14.10	1,200 [566]	35,800 [10.5]	3.60	22,200 [6.5]	2.48	8.90	

① Highest sales volume tested combination required by DOE test procedures.

[] Designates Metric Conversions

Performance Data ARI Standard Conditions—Single Phase (Scroll Compressor) (cont.)

Note: Only these combinations of indoor/outdoor units are approved and any other combinations should not be used.

Model Numbers		ARI Cooling Performance						ARI Heating Performance (70°F [21°C] Indoor)				
		80°F [26.5°C] DB/67°F [19.5°C] WB Indoor Air 95°F [35°C] DB Outdoor Air						Outdoor Air 47°F [8.5°C] DB/ 43°F [6°C] WB DOE High Temp.		Outdoor Air 17°F [-8.5°C] DB/ 15°F [-9.5°C] WB DOE Low Temp.		DOE Region IV HSPF
Outdoor Unit RPPB-	Indoor Coil and/or Air Handler	Total Capacity BTU/H [kW]	Net Sens. BTU/H [kW]	Net Latent BTU/H [kW]	EER	SEER	Indoor CFM [L/s]	BTU/H [kW]	COP	BTU/H [kW]	COP	
042JAZ	RCHJ-48A1	39,000 [11.4]	29,850 [8.7]	11,150 [3.3]	10.90	12.00	1,400 [661]	42,500 [12.5]	3.40	27,200 [8.0]	2.28	8.30
	RCHJ-48A1+RXMD-C02	39,000 [11.4]	27,900 [8.2]	11,100 [3.3]	10.90	12.10	1,400 [661]	42,500 [12.5]	3.40	27,200 [8.0]	2.28	8.40
	RCHJ-48A1 (RBHK-24) ①	40,500 [11.9]	30,000 [8.8]	11,000 [3.2]	12.10	14.00	1,400 [661]	41,500 [12.2]	3.52	26,200 [7.7]	2.28	8.30
	RCHJ-48A1 (RGFD-09?ZCM?)	40,500 [11.9]	29,900 [8.8]	11,100 [3.3]	11.70	13.25	1,325 [625]	42,000 [12.3]	3.52	26,600 [7.8]	2.29	8.35
	RCHJ-48A1 (RGFD-10?ZCM?)	40,500 [11.9]	29,800 [8.7]	11,200 [3.3]	11.55	13.20	1,325 [625]	42,000 [12.3]	3.49	26,800 [7.9]	2.28	8.25
	RCHJ-48A1 (RGFD-12?ZCM?)	41,000 [12.0]	30,350 [8.9]	11,150 [3.3]	11.75	13.25	1,475 [696]	42,000 [12.3]	3.48	26,800 [7.9]	2.27	8.20
	RCHJ-48A1 (RGGD-09?ZCM?)	40,500 [11.9]	30,150 [8.8]	10,850 [3.2]	11.75	13.25	1,425 [672]	42,000 [12.3]	3.50	26,800 [7.9]	2.28	8.25
	RCHJ-48A1 (RGGD-10?ZCM?)	40,500 [11.9]	30,150 [8.8]	10,850 [3.2]	11.75	13.25	1,425 [672]	42,000 [12.3]	3.50	26,800 [7.9]	2.28	8.25
	RCHJ-48A1 (RGGD-12?RCM?)	41,000 [12.0]	30,450 [8.9]	11,050 [3.2]	12.00	13.60	1,450 [684]	42,000 [12.3]	3.52	26,600 [7.8]	2.29	8.30
	RCHJ-48A1 (RGLL-07?BRQ?)	39,500 [11.6]	28,700 [8.4]	10,800 [3.2]	11.20	12.85	1,400 [661]	42,500 [12.5]	3.38	27,000 [7.9]	2.20	8.25
	RCHJ-48A1 (RGLL-10?BRM?)	40,000 [11.7]	29,200 [8.6]	10,800 [3.2]	11.80	13.60	1,400 [661]	42,000 [12.3]	3.48	26,600 [7.8]	2.24	8.25
	RCHJ-48A1 (RGLL-12?ARM?)	40,000 [11.7]	29,200 [8.6]	10,800 [3.2]	11.85	13.65	1,400 [661]	42,000 [12.3]	3.48	26,400 [7.7]	2.26	8.25
	RCHJ-48A1 (RGPL-07?BRQ?)	40,000 [11.7]	30,300 [8.9]	11,200 [3.3]	11.50	13.20	1,400 [661]	42,000 [12.3]	3.42	26,800 [7.9]	2.22	8.35
	RCHJ-48A1 (RGPL-10?BRM?)	40,000 [11.7]	30,200 [8.8]	11,300 [3.3]	11.60	13.35	1,400 [661]	42,000 [12.3]	3.44	26,600 [7.8]	2.24	8.35
	RCHJ-48A1 (RGPL-12?ARM?)	40,000 [11.7]	30,300 [8.9]	11,200 [3.3]	11.90	13.70	1,400 [661]	42,000 [12.3]	3.50	26,400 [7.7]	2.26	8.25
048JAZ	RCHJ-51A1	46,000 [13.5]	34,600 [10.1]	11,400 [3.3]	11.45	12.00	1,600 [755]	47,000 [13.8]	3.44	28,400 [8.3]	2.22	8.10
	RCHJ-51A1+RXMD-C02	46,000 [13.5]	34,600 [10.1]	11,400 [3.3]	11.45	12.10	1,600 [755]	47,000 [13.8]	3.44	28,400 [8.3]	2.22	8.50
	RCHJ-51A1 (RBHK-24) ①	46,500 [13.6]	35,200 [10.3]	11,300 [3.3]	12.25	14.10	1,600 [755]	47,000 [13.8]	3.64	29,000 [8.5]	2.38	8.60
	RCHJ-51A1 (RGLL-07?BRQ?)	45,500 [13.3]	34,100 [10.0]	11,400 [3.3]	10.80	12.35	1,600 [755]	48,500 [14.2]	3.38	30,400 [8.9]	2.26	8.20
	RCHJ-51A1 (RGLL-10?BRM?)	46,500 [13.6]	35,200 [10.3]	11,300 [3.3]	12.00	13.75	1,600 [755]	47,000 [13.8]	3.60	29,200 [8.6]	2.36	8.50
	RCHJ-51A1 (RGLL-12?ARM?)	46,000 [13.5]	34,700 [10.2]	11,300 [3.3]	11.55	13.20	1,600 [755]	47,500 [13.9]	3.52	29,600 [8.7]	2.32	8.40
	RCHJ-51A1 (RGPL-07?BRQ?)	46,000 [13.5]	34,700 [10.2]	11,300 [3.3]	11.45	13.10	1,600 [755]	47,500 [13.9]	3.50	29,800 [8.7]	2.32	8.35
	RCHJ-51A1 (RGPL-10?BRM?)	46,000 [13.5]	34,700 [10.2]	11,300 [3.3]	11.65	13.35	1,600 [755]	47,500 [13.9]	3.54	29,600 [8.7]	2.32	8.40
	RCHJ-51A1 (RGPL-12?ARM?)	46,500 [13.6]	35,200 [10.3]	11,300 [3.3]	12.00	13.80	1,600 [755]	47,000 [13.8]	3.60	29,200 [8.6]	2.36	8.55

① Highest sales volume tested combination required by DOE test procedures.

[] Designates Metric Conversions

Performance Data ARI Standard Conditions—Single Phase (Scroll Compressor) (cont.)

Note: Only these combinations of indoor/outdoor units are approved and any other combinations should not be used.

Model Numbers		ARI Cooling Performance						ARI Heating Performance (70°F [21°C] Indoor)				
		80°F [26.5°C] DB/67°F [19.5°C] WB Indoor Air 95°F [35°C] DB Outdoor Air						Outdoor Air 47°F [8.5°C] DB/ 43°F [6°C] WB DOE High Temp.		Outdoor Air 17°F [-8.5°C] DB/ 15°F [-9.5°C] WB DOE Low Temp.		DOE Region IV HSPF
Outdoor Unit RPPB-	Indoor Coil and/or Air Handler	Total Capacity BTU/H [kW]	Net Sens. BTU/H [kW]	Net Latent BTU/H [kW]	EER	SEER	Indoor CFM [L/s]					
								BTU/H [kW]	COP	BTU/H [kW]	COP	
049JAZ	RCQC-4824A	47,500 [13.9]	36,150 [10.6]	11,350 [3.3]	11.50	13.55	1,625 [767]	49,000 [14.4]	3.60	31,200 [9.1]	2.46	9.30
	RCQC-4824A (RBHL-25) ①	48,000 [14.1]	36,650 [10.7]	11,350 [3.3]	12.20	14.25	1,625 [767]	48,000 [14.1]	3.71	30,000 [8.8]	2.55	9.30
	RCQC-4824A (RGFD-12?ZCM?)	47,500 [13.9]	36,300 [10.6]	11,200 [3.3]	11.75	13.65	1,650 [779]	49,000 [14.4]	3.65	30,800 [9.0]	2.49	9.45
	RCQC-4824A (RGPL-07?BRQ?)	47,500 [13.9]	36,400 [10.7]	11,100 [3.3]	11.95	13.90	1,625 [767]	48,500 [14.2]	3.69	30,600 [9.0]	2.52	9.50
	RCQC-4824A (RGPL-10?BRM?)	47,500 [13.9]	36,250 [10.6]	11,250 [3.3]	11.70	13.60	1,625 [767]	49,000 [14.4]	3.65	31,000 [9.1]	2.49	9.40
	RCQC-4824A (RGPL-12?ARM?)	47,500 [13.9]	36,250 [10.6]	11,250 [3.3]	11.95	13.95	1,575 [743]	48,500 [14.2]	3.71	30,600 [9.0]	2.53	9.55
060JAZ	RCHJ-61A1	52,500 [15.4]	40,400 [11.8]	12,100 [3.5]	11.30	12.00	1,950 [920]	53,500 [15.7]	3.54	32,400 [9.5]	2.34	8.40
	RCHJ-61A1+RXMD-C02	52,500 [15.4]	40,400 [11.8]	12,100 [3.5]	11.30	12.10	1,950 [920]	53,500 [15.7]	3.54	32,400 [9.5]	2.34	8.50
	RCHJ-61A1 (RBHK-25) ①	54,000 [15.8]	42,100 [12.3]	11,900 [3.5]	11.65	13.50	1,950 [920]	53,500 [15.7]	3.60	33,000 [9.7]	2.36	8.70
	RCHJ-61A1 (RGPL-12?ARM?)	53,000 [15.5]	41,100 [12.0]	11,900 [3.5]	10.65	12.20	1,950 [920]	54,500 [16]	3.42	34,000 [10.0]	2.26	8.10
061JAZ	RCQC-6024A	52,000 [15.2]	40,050 [11.7]	11,950 [3.5]	10.90	12.85	1,875 [885]	55,500 [16.3]	3.51	34,800 [10.2]	2.50	9.10
	RCQC-6024A (RBHL-26) ①	52,500 [15.4]	40,550 [11.9]	11,950 [3.5]	11.65	13.60	1,875 [885]	53,500 [15.7]	3.65	33,400 [9.8]	2.60	9.25

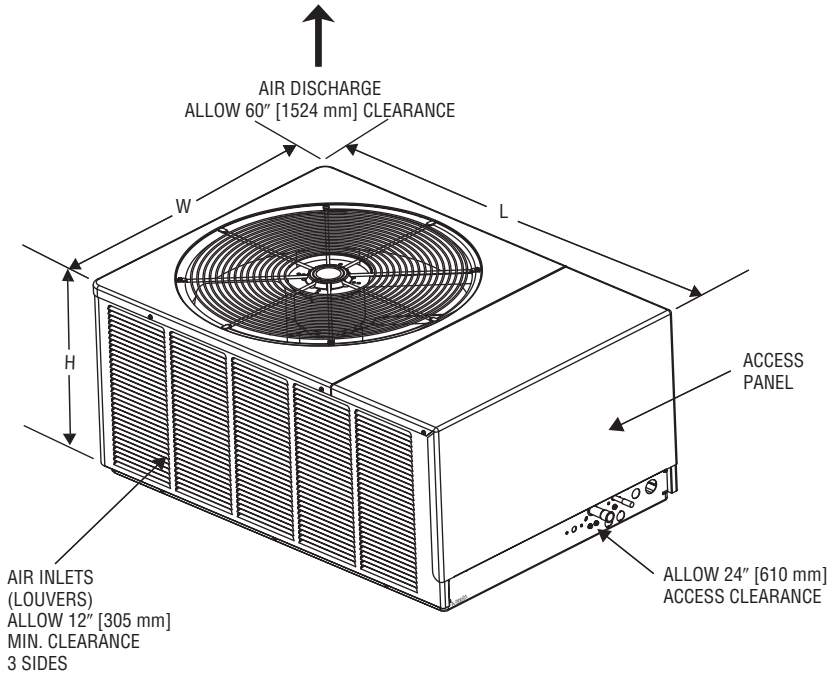
① Highest sales volume tested combination required by DOE test procedures.

Electrical and Physical Data

Model Number RPPB-	ELECTRICAL							PHYSICAL					
	Phase Frequency (Hz) Voltage (Volts)	Compressor		Fan Motor Full Load Amperes (FLA)	Minimum Circuit Ampacity Amperes	Fuse or HACR Circuit Breaker		Outdoor Coil			R22 Oz. [g]	Weight	
		Rated Load Amperes (RLA)	Locked Rotor Amperes (LRA)			Minimum Amperes	Maximum Amperes	Face Area Sq. Ft. [m²]	No. Rows	CFM [L/s]		Net Lbs. [kg]	Shipping Lbs. [kg]
018JA	1-60-208-230	9.6/9.6	45	.75	13/13	20/20	20/20	11.0 [1.02]	1	2100 [991]	84 [2381]	160 [72.6]	170 [77.1]
024JA	1-60-208-230	10.9/10.9	54	.75	15/15	20/20	25/25	17.3 [1.60]	1	2200 [1038]	118 [3345]	195 [88.5]	205 [93.0]
030JA	1-60-208-230	12.2/12.2	67	.75	16/16	20/20	25/25	17.3 [1.60]	1	2200 [1038]	124 [3515]	200 [90.7]	210 [95.3]
036JA	1-60-208-230	16.0/16.0	88	1.0	22/22	25/25	35/35	16.8 [1.56]	2	2600 [1227]	195 [5528]	230 [104.3]	240 [108.9]
042JA	1-60-208-230	17.9/17.9	104	1.5	24/24	30/30	40/40	22.4 [2.08]	2	3100 [1463]	234 [6634]	295 [133.8]	305 [138.3]
048JA	1-60-208-230	18.3/18.3	109	1.5	25/25	30/30	40/40	22.4 [2.08]	2	3100 [1463]	281 [7966]	300 [136.1]	310 [140.6]
049JA	1-60-208-230	20.0/20.0	109	1.5	27/27	35/35	45/45	22.4 [2.08]	2	3100 [1463]	288 [8165]	300 [136.1]	310 [140.6]
060JA	1-60-208-230	19.9/19.9	137	1.5	27/27	35/35	45/45	22.4 [2.08]	2	3100 [1463]	267 [7569]	305 [138.3]	315 [142.9]
061JA	1-60-208-230	20.2/20.2	137	1.5	27/27	35/35	45/45	22.4 [2.08]	2	3100 [1463]	288 [8165]	305 [138.3]	315 [142.9]

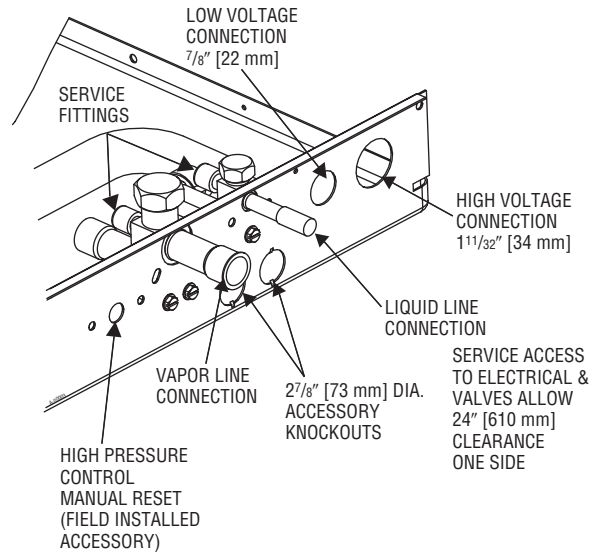
[] Designates Metric Conversions

Unit Dimensions



Model Number RPPB-	Height "H" (Inches) [mm]	Length "L" (Inches) [mm]	Width "W" (Inches) [mm]
018	19 [482.6]	40 ¹ / ₂ [1028.7]	27 ⁵ / ₈ [701.2]
024/030/036	25 [635.0]	44 ³ / ₈ [1127.1]	31 ¹ / ₂ [800.1]
042/048/049/060/061	33 [838.2]	44 ³ / ₈ [1127.1]	31 ¹ / ₂ [800.1]

[] Designates Metric Conversions



BEFORE PURCHASING THIS APPLIANCE, READ IMPORTANT ENERGY COST AND EFFICIENCY INFORMATION AVAILABLE FROM YOUR RETAILER.

GENERAL TERMS OF LIMITED WARRANTY

Rheem will furnish a replacement for any part of this product which fails in normal use and service within the applicable period stated, in accordance with the terms of the limited warranty.

For Complete Details of the Limited Warranty, Including Applicable Terms and Conditions, See Your Local Installer or Contact the Manufacturer for a Copy.

Condenser Coil leaks caused by
 factory defects.....Five (5) Years
 CompressorTen (10) Years
 *Any Other PartFive (5) Years

*This five year limited warranty is applicable only to single-phase products installed in residential applications on or after January 1, 2001.

Heat Pump Refrigerant Line Size Information

System Capacity Model	Line Size (Inch O.D.) [mm]	Liquid Line Size Outdoor Unit Above Indoor Coil						Liquid Line Size Outdoor Unit Below Indoor Coil					
		Total Length—Feet [m]						Total Length—Feet [m]					
		25 [7.62]	50 [15.24]	75 [22.86]	100 [30.48]	125 [38.10]	150 [45.72]	25 [7.62]	50 [15.24]	75 [22.86]	100 [30.48]	125 [38.10]	150 [45.72]
		Vertical Separation—Feet [m]						Vertical Separation—Feet [m]					
018	1/4* [6.35]	25 [7.62]	50 [15.24]	70 [21.34]			25 [7.62]	23 [7.01]	8 [2.44]				
	5/16 [7.94]			36 [10.97]	42 [12.80]	48 [14.63]	54 [16.46]		0	0	0	0	
024	1/4* [6.35]	25 [7.62]	50 [15.24]					25 [7.62]	23 [7.01]				
	5/16 [7.94]		24 [7.32]	34 [10.36]	44 [13.41]	54 [16.46]	64 [19.51]		0	0	0	0	
030	1/4* [6.35]	25 [7.62]	50 [15.24]					25 [7.62]	23 [7.01]				
	5/16 [7.94]		19 [5.79]	33 [10.06]	47 [14.33]	61 [18.59]			0	0	0	0	
	3/8 [9.53]					11 [3.35]	15 [4.57]					0	
036	5/16* [7.94]	25 [7.62]	50 [15.24]	70 [21.34]				25 [7.62]	23 [7.01]	9 [2.74]			
	3/8 [9.53]			34 [10.36]	40 [12.19]	46 [14.02]	52 [15.85]		0	0	0	0	
042	5/16* [7.94]	25 [7.62]	50 [15.24]	75 [22.86]				25 [7.62]	23 [7.01]	9 [2.74]			
	3/8 [9.53]			32 [9.75]	39 [11.89]	46 [14.02]	53 [16.15]		0	0	0	0	
048/049	3/8* [9.53]	25 [7.62]	44 [13.41]	53 [16.15]	61 [18.59]	70 [21.34]		25 [7.62]	28 [8.53]	19 [5.79]	11 [3.35]	3 [.91]	
	1/2 [12.7]					37 [11.28]	39 [11.89]					0	
060/061	3/8* [9.53]	25 [7.62]	48 [14.63]	61 [18.59]	72 [21.95]			25 [7.62]	23 [7.01]	11 [3.35]	3 [.91]		
	1/2 [12.7]				35 [10.67]	38 [11.58]	41 [12.50]				0	0	

*Standard line size

NOTES:

① This chart is applicable for heat pumps.

② If the separation height exceeds the table values, **increase** the outdoor flow-check piston two sizes plus one size for each additional 10 feet [3.05 m].
 Example 1: A 5 ton [17.58 kW] *heat pump* with a total line length of 100 feet [30.48 m] with a vertical separation of 93 feet [28.35 m] utilizing a 3/8" [9.53 mm] liquid line: Table = 72 feet [21.95 m] maximum vertical separation for 100 feet [30.48 m] run. Separation exceeds table by (93-72) = 21 feet [6.40 m]. Therefore, reduce the indoor coil flow-check piston 2 + 2 = 4 sizes (For example, a #89 piston would reduce to a #85 piston). Increase the outdoor flow-check piston 2 + 2 = 4 sizes (For example, a #56 would increase to a #60).

③ Do not exceed 120 feet [36.58 m] maximum vertical separation.

④ No changes are required for expansion valve coils.

⑤ Do not exceed table values for capillary tube coils.

⑥ Always use the smallest liquid line possible to minimize system charge.

⑦ For heat pumps with vertical separation: • Route liquid line outside building • Do not insulate liquid line.

⑧ Chart may be used to size horizontal runs.

NOTES:

① This chart is applicable for heat pumps. Heat pumps with any vertical separation require the use of *standard line sizes* only, due to the possibility of charge imbalance between heating and cooling modes.
 Example 1: A 3 ton [10.55 kW] *heat pump* with a total line length of 50 feet [15.24 m] can have a maximum vertical separation of 19 feet [5.79 m].
Do not increase line size to 3/8" [9.53 mm].

② This chart may also be used to size horizontal runs.
 Example 2: A 1.5 ton [5.28 kW] *heat pump* can have a total *horizontal* line length of 150 feet [45.72 m] when using the 5/16" [7.94 mm] liquid line size. No vertical separation allowed.

③ Do not exceed vertical separation as indicated on the chart.

④ Always use the smallest liquid line possible to minimize system charge.

⑤ No changes required for flow-check pistons or expansion valve coils.

Vapor Line Length/Size versus Capacity Multiplier								
RPPB-		018	024	030	036	042	048/049	060/061
Unit Vapor Line Connection Size		3/4" [19.05 mm] I.D. Sweat			7/8" [22.23 mm] I.D. Sweat		1 1/8" [28.58 mm] I.D. Sweat*	
Vapor Line Run—Feet [m]		5/8" [15.88 mm] O.D. Optional 3/4" [19.05 mm] O.D. Standard 7/8" [22.23 mm] O.D. Optional			3/4" [19.05 mm] O.D. Optional 7/8" [22.23 mm] O.D. Standard 1 1/8" [28.58 mm] O.D. Optional		7/8" [22.23 mm] O.D. Optional 1 1/8" [28.58 mm] O.D. Standard 1 3/8" [34.93 mm] O.D. Optional	
25' [7.62]	Optional	.98	.98	—	.99	—	.99	.99
	Standard	1.00	1.00	1.00	1.00	1.00	1.00	1.00
	Optional	1.01	1.01	1.01	1.01	1.01	1.01	1.01
50' [15.24]	Optional	.96	.96	—	.97	—	.97	.97
	Standard	.99	.99	.99	.99	.99	1.00	.99
	Optional	1.00	1.00	1.00	1.01	1.01	1.01	1.01
100' [30.48]	Optional	.93	.93	—	.93	—	.96	.95
	Standard	.99	.98	.97	.98	.98	.99	.99
	Optional	1.00	.99	.99	1.00	1.00	1.00	1.00
150' [45.72]	Optional	—	—	—	—	—	.93	.93
	Standard	.98	.97	.95	.97	.96	.99	.98
	Optional	1.00	.98	.97	.99	.99	1.00	.99

NOTES: Capacity Multiplier x Rated Capacity = Actual Capacity.
 Additional compressor oil is not required for runs up to 150 feet [45.72 m].
 Oil traps in vertical runs are not required for any height up to 125 feet [38.10 m]. See Liquid Line chart for Vertical Separation Requirements and Limitations.
 *Adapter to 1 1/8" [28.58 mm] factory supplied.

[] Designates Metric Conversions

Notes

Notes

Before proceeding with installation, refer to installation instructions packaged with each model, as well as complying with all Federal, State, Provincial, and Local codes, regulations, and practices.

**RHEEM
AIR CONDITIONING
DIVISION**

5600 Old Greenwood Road, Fort Smith, Arkansas 72908



"In keeping with its policy of continuous progress and product improvement, Rheem reserves the right to make changes without notice."