

Williamson

PLB

Series 2

Ratings - 2 sizes

168,000 to 350,000 Btuh Input

1.20 to 2.50 GPH #2 Fuel Oil



Packaged Low Boy Oil Furnace

- ▣ AFUE's to 86.5%
- ▣ Heat exchanger
 - Rear flue
 - Heavy gauge stainless steel primary heat exchanger
 - Tube style aluminized steel secondary heat exchanger with removable baffles
 - Large rear access clean out secured with studs and nuts
 - Spring-loaded observation port with test port
- ▣ Blower
 - PLB-210 - Multi-speed direct drive
 - PLB-350 - Belt drive
- ▣ Cabinet
 - Appliance finish powder coat paint
 - Heavy gauge with "Seal-Tite" construction
 - Foil-faced insulation for hand-cool surface
- ▣ Burner and controls
 - Factory-wired
 - PSC motor
 - Solid state ignitor



Williamson

Since 1890

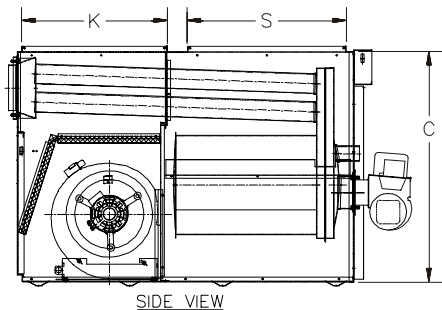
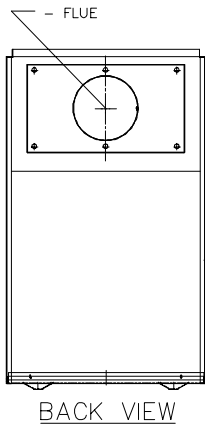
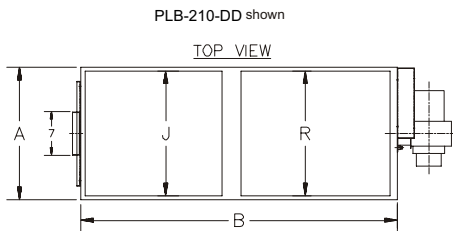
RATINGS

Model	Input	Output	Firing rate	Installed nozzle	AFUE	Blower size	Blower motor hp	Blower pulley	Motor pulley	Belt Size (inches)	Maximum cooling capacity (tons)	Ship wt. (pounds)	Blower CFM	
	(Btuh)	(Btuh)	(GPH)										@ 0.25° WC	@ 0.50° WC
Direct-drive units														
PLB-210	168,000	138,000	1.20		82.6	GT12-10	3/4	-	-	-	5	250	1950	1900
	189,000	155,000	1.35		82.8	GT12-10	3/4	-	-	-	5	250	2050	1900
	210,000	171,000	1.50	✓	81.9	GT12-10	3/4	-	-	-	5	250	2050	nr
Belt-drive units														
PLB-350	245,000	215,300	1.75		86.5	GT15-12	1.5	5-3/4	3-1/8 variable	47.2	8	400	3100	2780
	280,000	241,600	2.00		83.6	GT15-12	1.5	5-3/4	3-1/8 variable	47.2	8	400	3100	2780
	315,000	270,900	2.25		82.8	GT15-12	1.5	5-3/4	3-1/8 variable	47.2	8	400	3500	3400
	350,000	297,000	2.50	✓	82.1	GT15-12	1.5	5-3/4	3-1/8 variable	47.2	8	400	3500	3400

NOTE: Filter sizes required are: PLB-210 - (2) 16" x 20" • PLB-350 - (2) 20" x 24" • nr = not recommended

DIMENSIONS

ALL DIMENSIONS IN INCHES



Model	Furnace casing			Warm air supply		Return air		Flue pipe diam.
	Width A	Depth B	Height C	Width R	Depth S	Width J	Depth K	
PLB-210	21-1/4	50-3/4	34-3/4	20	22	20	24	7
PLB-350	26	64-1/4	46-7/8	23-7/8	29-3/4	23-7/8	29-3/4	9

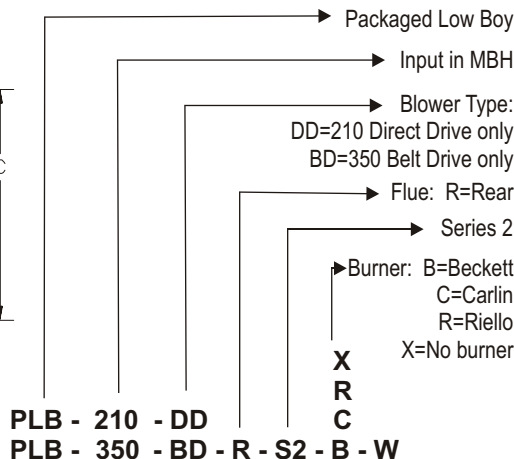
Note: PLB furnaces are approved for 1" clearance to combustible construction. Refer to installation manual for details and proper installation.

EQUIPMENT

- Factory-assembled
- Heat exchanger pressure tested to assure leak-tight construction
- Heavy 14-gauge 430 stainless steel primary heat exchanger
- Aluminized steel secondary heat exchanger and flue collectors
- Rugged 20-gauge cabinet with powder coat finish
- Air conditioning fan center
- Limit control
- On/Off fan switch
- Barometric damper provided
- High-efficiency flame retention burner (Beckett, Carlin, Riello)
- Optional two-stage fuel unit

ORDER CODE

WARRANTY



Residential Use:

- Limited lifetime warranty on heat exchanger
- 5-year limited warranty on parts
- Optional 5- or 10-year parts and labor warranty

Commercial or Industrial Use:

- 5-year limited warranty on heat exchanger
- 3-year limited warranty on other components
- Optional 5- or 10- year parts and labor warranty



8201 West Calumet Road • Milwaukee, WI 53223

www.williamson-thermoflo.com

Form No. W-105R1(0903)

